





***Spare parts catalogue 998S Final Edition mon U.S.A.***

***DUCATI***998





<b>DUCATI</b> MOTORHOLDING 	<b>998S</b> Final Edition	<b>M.Y. '04</b>	<b>U.S.A.</b>
Spare Sparts Department	P.N. 91512112A	Dicembre - December '04	Edizione - Edition 01
<b>DUCATI</b> MOTORHOLDING 	<b>998S</b> Final Edition	<b>M.Y. '04</b>	<b>U.S.A.</b>
Spare Sparts Department	P.N. 91512112A	Dicembre - December '04	Edizione - Edition 01
<b>DUCATI</b> MOTORHOLDING 	<b>998S</b> Final Edition	<b>M.Y. '04</b>	<b>U.S.A.</b>
Spare Sparts Department	P.N. 91512112A	Dicembre - December '04	Edizione - Edition 01
<b>DUCATI</b> MOTORHOLDING 	<b>998S</b> Final Edition	<b>M.Y. '04</b>	<b>U.S.A.</b>
Spare Sparts Department	P.N. 91512112A	Dicembre - December '04	Edizione - Edition 01



**GENERAL INFORMATION**

The present spare parts order exactly the right spare parts

When ordering specify:

1) the part's code number followed by its description; quantity needed;

2) the motorcycle's serial number, stamped on the steering head.

Reference to right and left apply to the vehicle in terms of its direction of movement.

**Spare parts drawings are general and do not represent the part.**

**The contents of this catalogue are general and can undergo changes without prior notice.**

**VALIDITY**

- f.m.** Until V.I.N.
- d.m.** From V.I.N.
- f.m.m.** Up to engine number
- d.m.m.** From engine number

**Ducati Motor Holding S.p.A.**  
Commercial and Administration Office:  
Via A. Cavalieri Ducati n. 3  
40132 Bologna, Italy  
Telefono 051 6413111  
Fax 051 406580  
Internet [www.ducati.com](http://www.ducati.com)

PAINTS

Colore	Codice	Codice	Codice
Paint	Code	Code	Code
Vernis	Code	Code	Code
Slacken	Code	Code	Code
Lacas	Codice	Codice	Codice

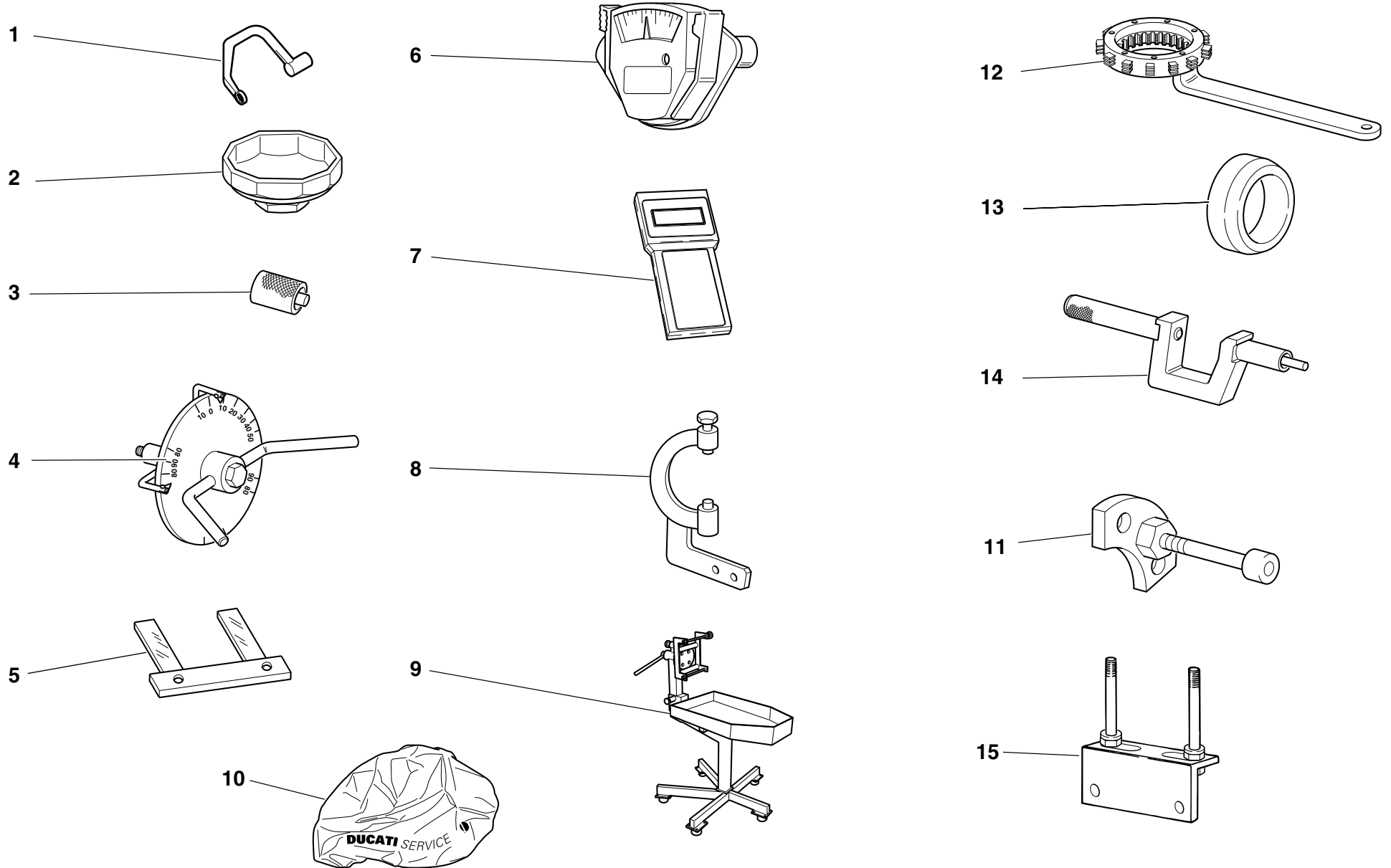


"Rosso Anniversary DUCATI"

473.101


page	CONTENTS	
4	001	WORKSHOP SPECIAL TOOLS
6	001a	WORKSHOP SPECIAL TOOLS
8	001b	WORKSHOP SPECIAL TOOLS
10	001c	DIAGNOSIS TESTER MATHESIS
12	001d	WORKSHOP SPECIAL TOOLS
14	002	GEARCHANGE
16	003	GEAR-BOX
18	004	CLUTCH
20	005	CLUTCH COVER
22	005a	CLUTCH COVER
24	006	CRANKSHAFT
26	007	CYLINDERS - PISTONS
28	008	TIMING
30	009	FILTERS AND OIL PUMP
32	010	HALF CRANKCASES
34	010a	HALF CRANKCASES
36	011	WATER PUMP - ALTERNATOR COVER
38	011a	WATER PUMP - ALTERNATOR COVER
40	012	ELECTRIC STARTER AND IGNITION
42	013	HEAD: TIMING
44	014	COLLECTORS AND HEAD COVERS
46	014a	HEAD COVERS
48	015	HEAD
50	016	OIL COOLER
52	017	THROTTLE BODY
54	018	INJECTION CONTROL UNIT
56	018a	BATTERY BOX MOUNT
58	018b	INJECTION SYSTEM
60	019	EXHAUST SYSTEM
62	020	INSTRUMENT PANEL
64	021	FRONT HEAD-LIGHT
66	022	HALF-HANDLEBARS - SHOCK-ADSORBER
68	022a	FRONT FORK
70	023	FRAME
72	024	CLUTCH CONTROL
74	025	FRONT HYDRAULIC BRAKE
76	026	REAR HYDRAULIC BRAKE
78	027	FRONT AND REAR WHEELS
80	028	REAR WHEEL PIN
82	029	REAR FRAME(mon)
84	029a	NUMBER PLATE HOLDER
86	030	REAR SUSPENSION
88	031	AIR INDUCTION-OIL VENT
90	032	WATER RADIATOR ASSY
92	033	COOLING CIRCUIT
94	034	FUEL TANK
96	034a	FUEL SYSTEM
98	035	SEAT (monoposto)
100	036	HEADLIGHT FAIRING
102	036a	FAIRING
104	037	FUEL INFEED
106	038	MARKING PLATES


DRAWING **001** WORKSHOP SPECIAL TOOLS



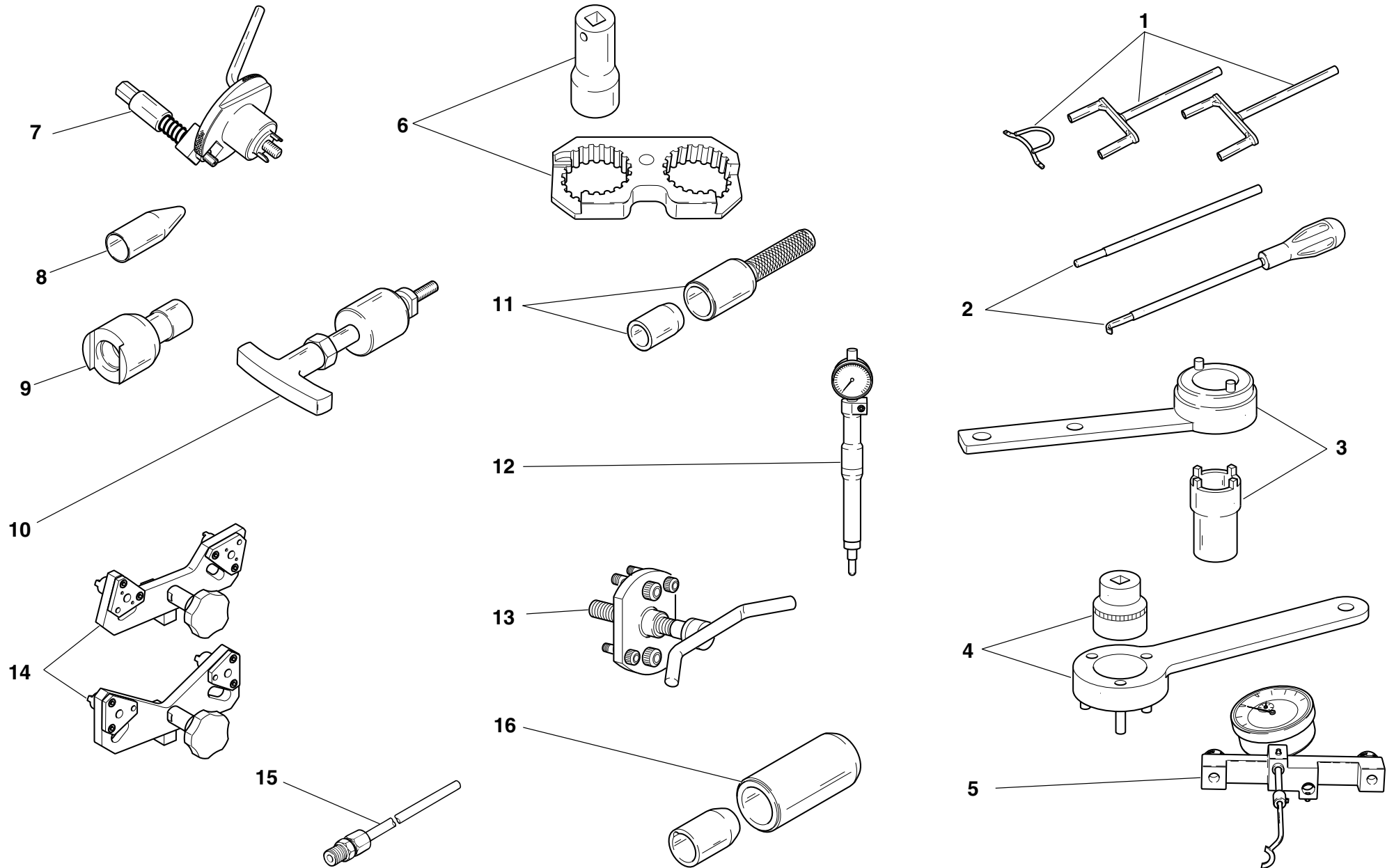


DRAWING **001** WORKSHOP SPECIAL TOOLS


NOTES	NO.	CODE NO.	DESCRIPTION	VALIDITY	Q.TY	
	1	88713.2096	Head nuts holder wrench		1	
	2	0675.03.210	Wrench for removing oil filter cartridge		1	
	3	88765.1298	Spacer for checking lower valve shim		1	
	4	88713.0123	Degree wheel holder tool for ignition advance check		1	
	4	98112.0002	Degree wheel		1	
	5	88765.1000	Fork feeler gauge 0.1 mm		1	
	5	88765.1005	Fork feeler gauge 0.2 mm		1	
	5	88765.1006	Fork feeler gauge 0.3 mm		1	
	6	88765.0999	Timing belt control gauge		1	
	7	88765.1375AF	Check instrument		1	
GB	7	88765.1375BF	Check instrument		1	
D	7	88765.1375CF	Check instrument		1	
F	7	88765.1375DF	Check instrument		1	
E	7	88765.1375EF	Check instrument		1	
	8	88713.2036	Flywheel Wrench		1	
	9	88713.1832	Bench for engine repair		1	
	10	88713.1886	Engine canvas		1	
	11	88713.1091	Plate for positioning gear engagement fork		1	
	12	88713.2133	Wrench to hold clutch housing drum steady		1	
	13	88700.5665	Sleeve for installing clutch bell gear		1	
	14	88713.1429	Tool to drive valve seal ring $\varnothing 7$		1	
	15	88713.2103	Head mounting base		1	

NOTES	NO.	CODE NO.	DESCRIPTION	VALIDITY	Q.TY	
-------	-----	----------	-------------	----------	------	---

DRAWING **001a** WORKSHOP SPECIAL TOOLS

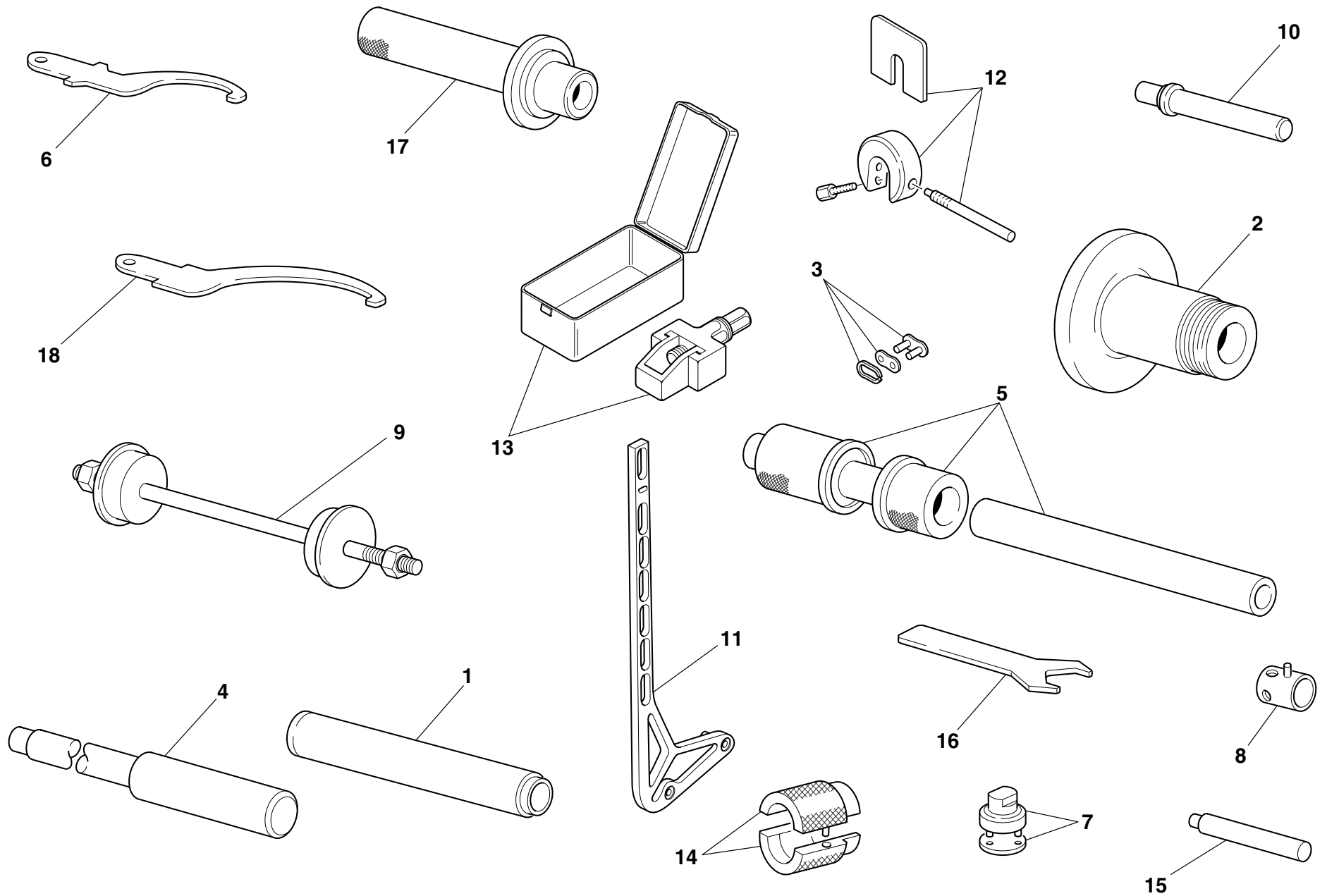


DRAWING **001a** **WORKSHOP SPECIAL TOOLS**


NOTES	NO.	CODE NO.	DESCRIPTION	VALIDITY	Q.TY	
	1	88713.2068	Closing rocker pre-load kit		1	
	2	88713.2069	Rocker spring pre-load compound kit		1	
	3	88713.1805	Driving roller tightening tool		1	
	4	88713.2102	Primary drive gear tightening tool		1	
	5	88765.1181	Valve lift gauge		1	
	6	88713.1806	Reaction tool for belt roller tightening		1	
	7	88713.2011	Tool to hold crankshaft in TDC position		1	
	8	88713.1920	Tool to fit O-rings onto stud bolts		1	
	9	88713.1821	Wrench to tighten tensioning bolts		1	
	10	88713.1994	Rocker shaft extractor		1	
	11	88713.2060	Seal ring driving tool		1	
	12	88765.1188	T.D.C. control gauge		1	
	13	88713.1749	Drive roller puller		1	
	14	88713.1791	Belt roller timing tool		1	
	15	88713.1010	Union for exhaust gas suction		1	
	16	88713.1906	Tool to fit seals on camshafts		1	


NOTES	NO.	CODE NO.	DESCRIPTION	VALIDITY	Q.TY	
-------	-----	----------	-------------	----------	------	---

DRAWING **001b** WORKSHOP SPECIAL TOOLS

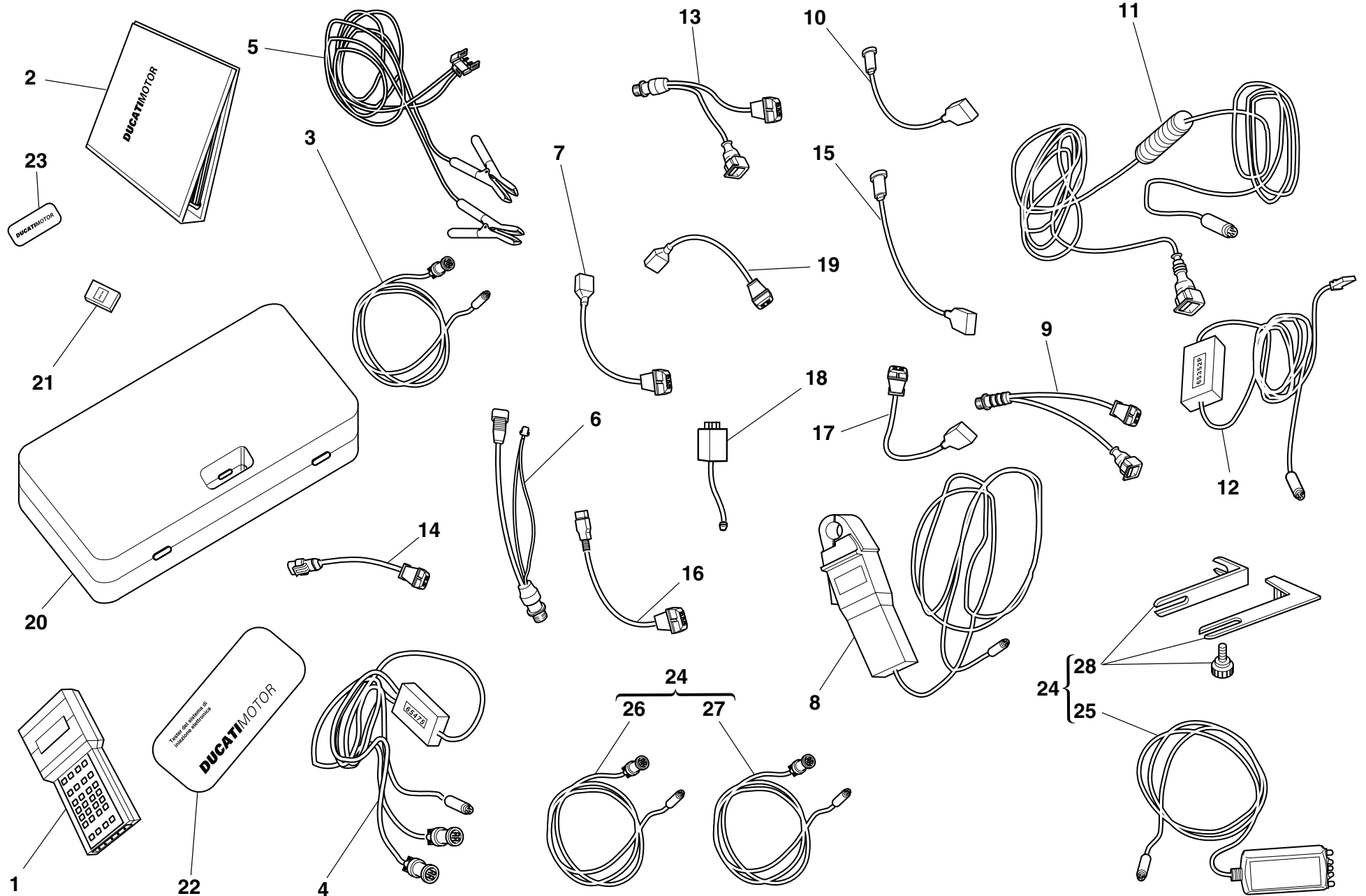


DRAWING **001b** WORKSHOP SPECIAL TOOLS

NOTES	NO.	CODE NO.	DESCRIPTION	VALIDITY	Q.TY	
	1	88713.1072	Stopper for driving the half bearing of the steering head base		1	
	2	88713.1073	Tool for balancing rear wheel		1	
	3	677.4.003.1A	Coupling		1	
	4	88713.1074	Stopper for disassembling the swingarm pivot		1	
	5	88713.1059	Tool for assembling the swingarm ball bearings		1	
	6	88713.1037	Wrench for adjusting the steering head		1	
	7	88713.1058	Wrench for assembling the steering head cap		1	
	8	8000.70139	Wrench for front wheel spindle		1	
	9	88713.1062	Tool for assembling the steering head bearings		1	
	10	88713.1071	Stopper for assembling the rocker needle bearings		1	
	11	699.2.063.1A	Geometry adjustment kit		1	
	12	88713.0957	Tool for holding SHOWA fork spacer		1	
	13	88713.1344	Tool for assembling chain		1	
	14	88713.1096	Tool for overhauling SHOWA forks - assembling seal ring		1	
	15	88713.1057	Stopper for inserting the steering damper bearing		1	
	16	88713.1077	Wrench for seat lock nut		1	
	17	88713.1068	Stopper for assembling the rear fork roller bearings		1	
	18	88713.1038	Wrench for adjusting the eccentric hub		1	

NOTES	NO.	CODE NO.	DESCRIPTION	VALIDITY	Q.TY	
-------	-----	----------	-------------	----------	------	---


DRAWING **001c** DIAGNOSIS TESTER MATHESIS



DRAWING **001c** DIAGNOSIS TESTER MATHESIS

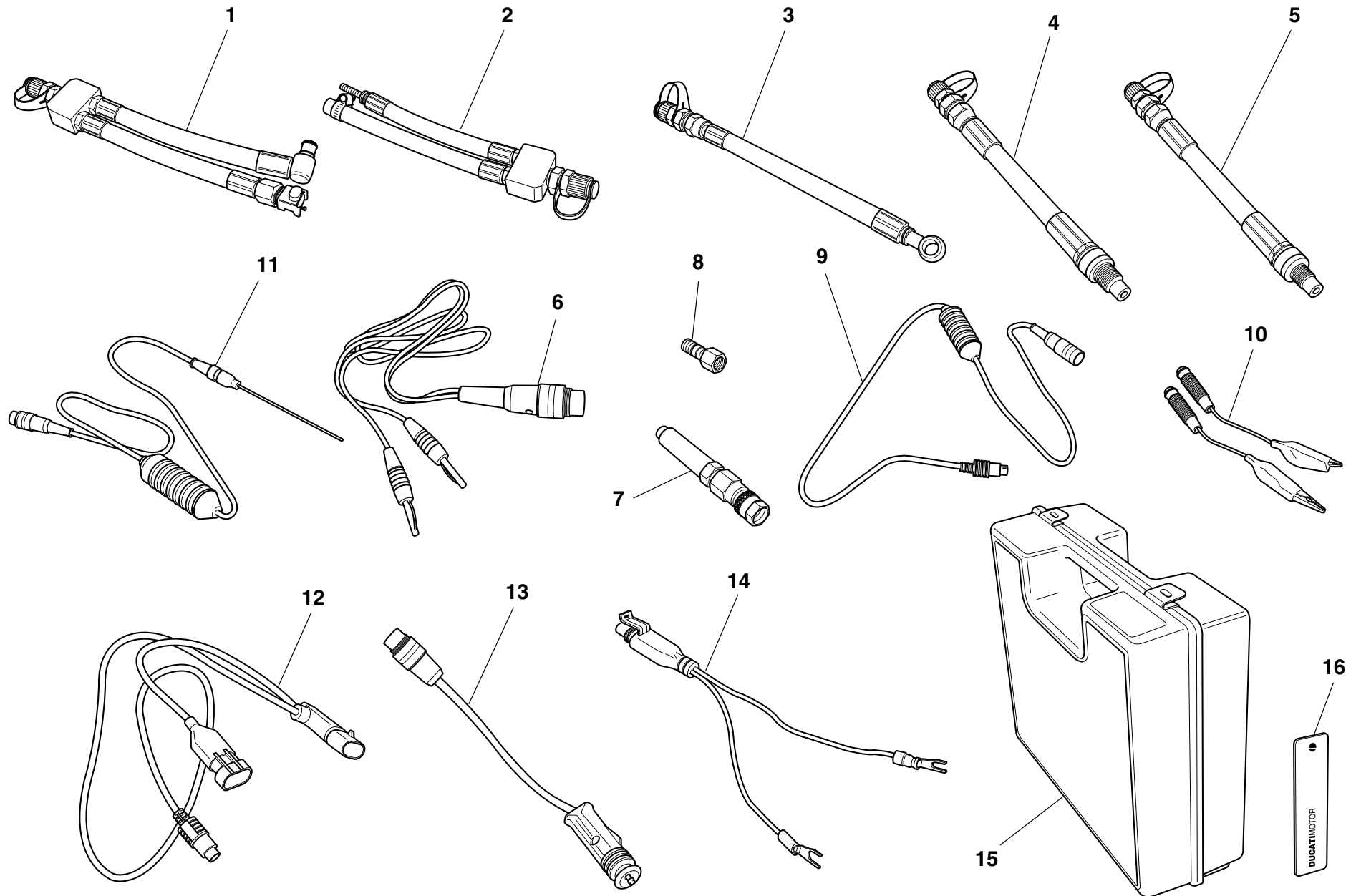
NOTES	NO.	CODE NO.	DESCRIPTION	VALIDITY	Q.TY	
	1	88765.1126Z	Bare Mathesis		1	
	2	914.7.023.1A	Italian manual		1	
	2	914.7.023.1B	English manual		1	
	2	914.7.023.1C	German manual		1	
	2	914.7.023.1D	Franch manual		1	
	2	914.7.023.1E	Spanish manual		1	
	3	88765.1126R	Main cable Mathesis		1	
	4	88765.1126A	Pickup Control cable		1	
	5	88765.1126Q	Battery mains cable		1	
	6	88765.1126	Mains cable adapter for self diagnosis		1	
	7	88765.1126N	Sensor for absolute pressure sampling		1	
	8	88765.1126V	Amperometer plier		1	
	9	88765.1126E	Adapter for 3 wires Pickup test cable		1	
	10	88765.1126P	Sensor for air temperature sampling		1	
	11	88765.1126C	Cable for potentiometer adjustment		1	
	12	88765.1126B	Test cable and speed indicator adjustment		1	
	13	88765.1126F	Adapter for 2 wires Pickup test cable		1	
	14	88765.1126D	Adapter for potentiometer adjustment		1	
	15	552.4.028.1A	Sensor for small throttle potentiometer sampling		1	
	16	88765.1126H	Sensor for throttle potentiomer sampling		1	
	17	88765.1126G	Sensor for air/water temperature sampling		1	
	18	88765.1126M	Sfety remote switch		1	
	19	88765.1126L	2 Wires sampling Pickup sensor		1	
	20	88765.1126U	Case with sponge		1	
	21	88765.1073	Italian memory card		1	
	21	88765.1074	English memory card		1	
	21	88765.1075	German memory card		1	

CATALOGUE No:  
ISSUED:915.1.211.2A  
12 - 04

NOTES	NO.	CODE NO.	DESCRIPTION	VALIDITY	Q.TY	
	21	88765.1076	French memory card		1	
	21	88765.1077	Spanish memory card		1	
	22	88765.1126S	DUCATI sticker for case		1	
	23	88765.1126T	DUCATI sticker RH/LH side		1	
	24	88765.1369A	Belt tensioning kit		1	
GB	24	88765.1369B	Belt tensioning kit		1	
D	24	88765.1369C	Belt tensioning kit		1	
F	24	88765.1369D	Belt tensioning kit		1	
E	24	88765.1369E	Belt tensioning kit		1	
	25	88765.1371	Sensor		1	
	26	88765.1372	Main cable		1	
	27	88765.1373	Cable extension		1	
	28	88765.1374	Bracket		1	


CATALOGUE No:  
ISSUED:915.1.211.2A  
12 - 04


DRAWING **001d** WORKSHOP SPECIAL TOOLS



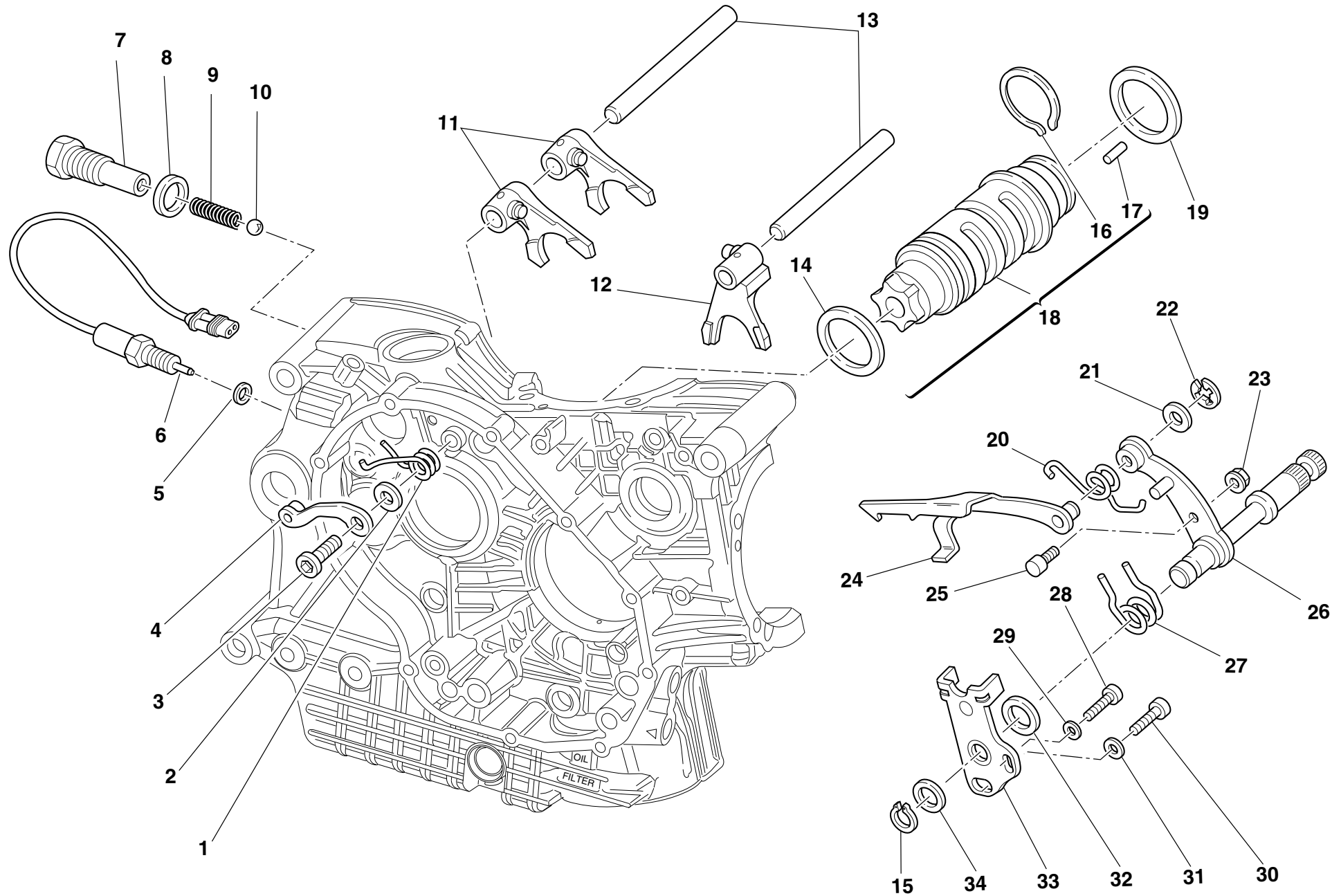


DRAWING **001d** WORKSHOP SPECIAL TOOLS

NOTES	NO.	CODE NO.	DESCRIPTION	VALIDITY	Q.TY	
-		88765.1241	Check instrument		1	
GB	-	88765.1242	Check instrument		1	
D	-	88765.1243	Check instrument		1	
F	-	88765.1244	Check instrument		1	
E	-	88765.1245	Check instrument		1	
1		590.1.189.1A	Fuel pressure line HS.		1	
2		590.1.190.1A	Fuel pressure line ST/SS/M.		1	
3		875.1.065.1A	Oil pressure line		1	
4		552.1.037.1A	Fitting - cylinder compression M12		1	
5		552.1.038.1A	Fitting - cylinder compression M10		1	
6		514.1.037.1A	Cable Volt PF DUC 21		1	
7		552.1.039.1A	Pressure sensor		1	
8		814.1.114.1A	Oil pressure fitting		1	
9		514.1.032.1A	Cable for supplementary tests		1	
10		514.1.035.1A	Red clamp cable		1	
10		514.1.036.1A	Black clamp cable		1	
11		552.1.040.1A	Temperature probe		1	
12		514.1.034.1A	Main cable PF A621		1	
13		514.1.033.1A	Electric lighter connection adapter (ST)		1	
14		514.1.038.1A	Battery connection adapter		1	
15		698.1.033.1A	Red case with sponge rubber		1	
16		88765.1126T	DUCATI sticker RH/LH side		2	

NOTES	NO.	CODE NO.	DESCRIPTION	VALIDITY	Q.TY	
-------	-----	----------	-------------	----------	------	---


DRAWING **002** GEARCHANGE



DRAWING **002** **GEARCHANGE**

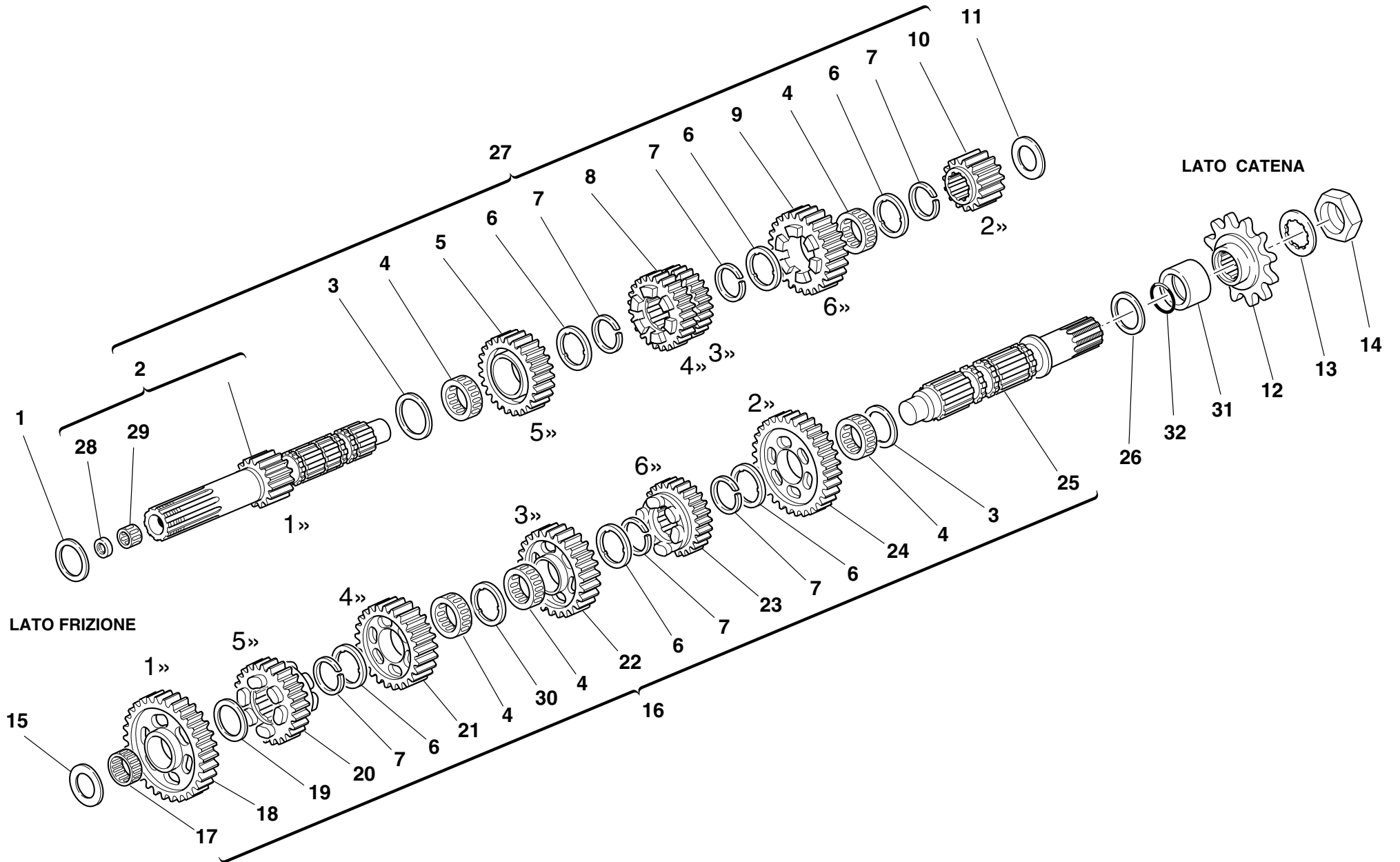
NOTES	NO.	CODE NO.	DESCRIPTION	VALIDITY	Q.TY	
	1	799.1.049.1A	Return spring		1	
	2	852.1.053.2A	Washer		1	
	3	779.1.039.1A	Special screw		1	
	4	455.2.003.1A	Gear stopper assembly		1	
	5	852.5.024.1A	Gasket th.1		1	
	6	539.1.021.1A	Switch		1	
	7	779.1.203.2A	Push rod holder		1	
	8	0272.91.090	Gasket		1	
	9	0660.13.143	Gear selector spring		1	
	10	76835.1134	Ball		1	
	11	180.1.001.1A	1st,4th-2nd,3rd gear selector fork		2	
	12	180.1.002.1A	5th,6th gear selector fork		1	
	13	0660.13.070	Fork pin		2	
	14	852.1.005.1A	Shim th. 1		1	
	15	73500.1542	Circlip		1	
	16	882.1.006.1A	Needle retaining ring (square cross-section)		1	
	17	821.1.070.1A	Special roller (square cross-section)		6	
	18	182.2.018.1A	Complete gearbox drum		1	
	19	0660.13.060	Shim th. 1		1	
	19	852.1.094.1A	Shim th. 0.9		1	
	20	799.1.025.1A	Fork return spring		1	
	21	0400.09.050	Shim th. 0.5		1	
	21	0765.92.205	Shim th. 0.2		2	
	22	884.5.034.1A	Ring		1	
	23	748.1.040.1A	Nut		1	
	24	180.1.008.1A	Gearbox drum control fork		1	
	25	0660.13.165	Gearchange lever pin		1	

CATALOGUE No:  
ISSUED:**915.1.211.2A**  
**12 - 04**


NOTES	NO.	CODE NO.	DESCRIPTION	VALIDITY	Q.TY	
	26	821.1.001.1A	Pin with gearchange lever		1	
	27	0799.13.110	Gearchange lever return spring		1	
	28	771.5.067.8B	Screw		1	
	29	852.1.172.1A	Washer		1	
	30	771.5.123.8B	Screw		1	
	31	852.1.174.1A	Washer		1	
	32	881.1.012.1A	Centering ring		1	
	33	826.1.009.1A	Stopper plate		1	
	34	0400.29.125	Shim th. 0.2		2	
	34	0400.29.126	Shim th. 0.5		1	

CATALOGUE No:  
ISSUED:**915.1.211.2A**  
**12 - 04**


DRAWING **003** GEAR-BOX



DRAWING **003** GEAR-BOX

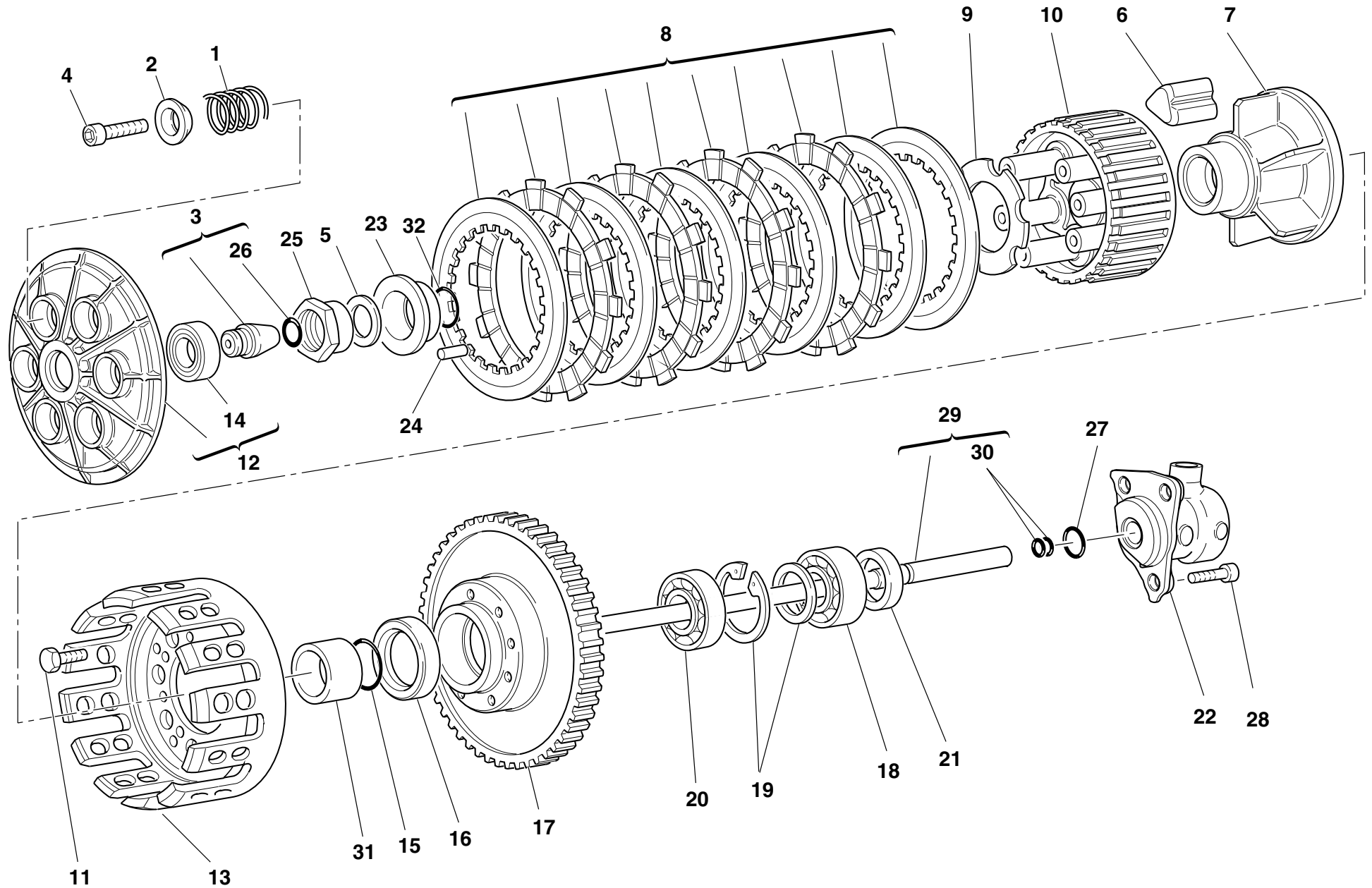
NOTES	NO.	CODE NO.	DESCRIPTION	VALIDITY	Q.TY	
	1	0251.47.050	Shim th. 1		1	
	1	0251.47.054	Shim th. 1.2		1	
	2	150.2.006.1B	Gearbox main shaft		1	
	3	0670.16.150	Shim th. 0.5		2	
	4	701.4.005.1A	Needle bearing		5	
	5	172.1.004.1C	Driving gear 5th sp.		1	
	6	856.1.001.1A	Grooved washer th. 0.5		6	
	7	0670.16.145	Snap ring		6	
	8	172.1.003.1C	Driving gear 3rd/4th sp.		1	
	9	172.1.005.1C	Driving gear 6th sp.		1	
	10	172.1.002.1B	Driving gear 2nd sp.		1	
	11	0670.16.164	Shim th. 2		1	
	11	713.1.014.1A	Shim th. 1.5		1	
	11	713.1.014.1E	Shim th. 1.6		1	
	11	713.1.014.1F	Shim th. 1.9		1	
	12	449.1.041.1A	Chain sprocket Z=15		1	
	13	851.1.004.1A	Lock washer		1	
	14	750.1.007.1A	Nut		1	
	15	0670.16.165	Shim th. 2.2		1	
	15	0670.16.184	Shim th. 1		1	
	15	0670.16.185	Shim th. 1.2		1	
	16	150.2.053.2A	Complete lay shaft		1	
	17	76402.0002	Needle bearing		1	
	18	172.1.006.1B	Driven gear 1st sp.		1	
	19	0670.16.155	Shim th. 1		1	
	20	172.1.010.1C	Driven gear 5th sp.		1	
	21	172.1.009.1C	Driven gear 4th sp.		1	

CATALOGUE No: 915.1.211.2A  
ISSUED: 12 - 04

NOTES	NO.	CODE NO.	DESCRIPTION	VALIDITY	Q.TY	
	22	172.1.008.1C	Driven gear 3rd sp.		1	
	23	172.1.011.1C	Driven gear 6th sp.		1	
	24	172.1.007.1B	Driven gear 2nd sp.		1	
	25	149.1.032.3A	Gearbox lay shaft		1	
	26	0670.16.170	Shim th. 0.8		1	
	26	0670.16.171	Shim th. 1		1	
	26	852.1.105.1AB	Shim th. 0.9		1	
	26	852.1.105.1AG	Shim th. 0.7		1	
	27	150.2.047.2A	Complete main shaft		1	
	28	930.4.049.1A	Seal ring		1	
	29	702.5.044.1A	Needle bearing		1	
	30	856.1.031.1A	Grooved washer th. 0.5		1	
	31	713.1.157.1A	Spacer		1	
	32	930.4.023.1A	O-ring		1	

CATALOGUE No: 915.1.211.2A  
ISSUED: 12 - 04


DRAWING **004** CLUTCH



DRAWING **004** **CLUTCH**

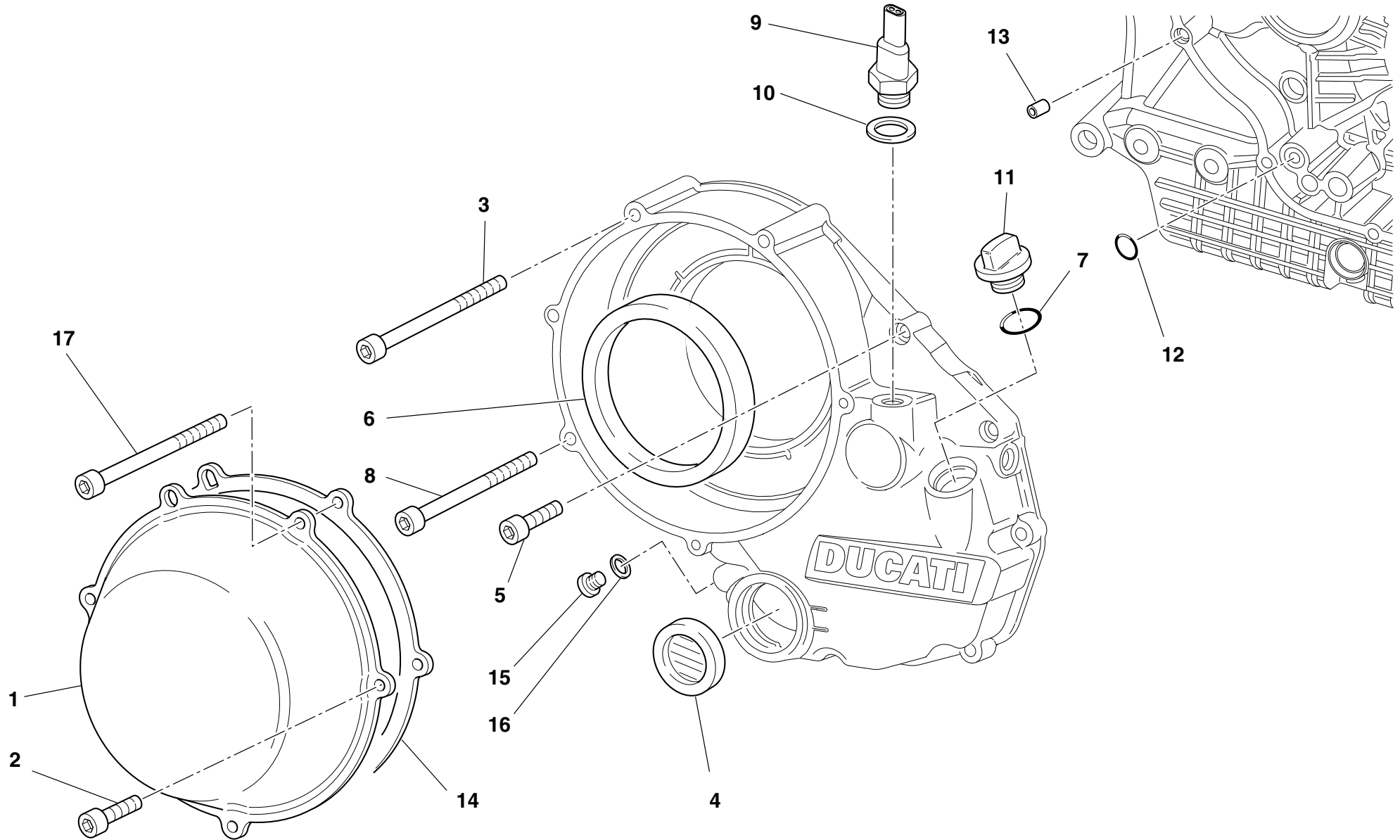
NOTES	NO.	CODE NO.	DESCRIPTION	VALIDITY	Q.TY	
	1	0659.16.555	Clutch spring		6	
	2	841.1.002.2A	Retainer		6	
	3	818.2.009.1A	Clutch control pin		1	
	4	771.5.043.8B	Screw		6	
	5	851.4.001.1A	Lock washer		1	
	6	764.1.003.1B	Rubber pad		12	
	7	162.1.001.1B	Plate holder hub		1	
	8	190.2.011.1A	Clutch plates set		1	
	9	851.1.001.1B	Lock washer		1	
	10	196.1.001.2B	Clutch drum		1	
	11	70610.8120	Screw		8	
	12	194.2.015.1A	Pressure plate		1	
	13	198.1.003.2C	Clutch housing		1	
	14	702.5.016.1A	Bearing		1	
	15	463.2.053.7A	O-ring		1	
	16	930.4.035.1A	Seal ring		1	
	17	170.2.032.1A	Clutch/crankshaft gears pair		1	
	18	75113.2566	Bearing		1	
	19	881.2.001.1A	Circlip - spacer		1	
	20	702.4.017.1A	Bearing		1	
	21	0660.16.145	Spacer		1	
	22	195.4.003.1A	Piston assembly		1	
	23	710.1.002.1A	Bush		1	
	24	74224.0570	Pin		1	
	25	750.1.002.1B	Nut		1	
	26	0400.17.030	O-ring		1	
	27	886.4.043.1A	O-ring		1	

CATALOGUE No: 915.1.211.2A  
ISSUED: 12 - 04

NOTES	NO.	CODE NO.	DESCRIPTION	VALIDITY	Q.TY	
	28	771.5.065.2BB	Screw		3	
	29	117.2.006.1A	Clutch control rod		1	
	30	93823.2018	O-ring		2	
	31	713.1.012.1B	Spacer		1	
	32	93823.0128	O-ring		1	


CATALOGUE No: 915.1.211.2A  
ISSUED: 12 - 04

DRAWING **005** CLUTCH COVER



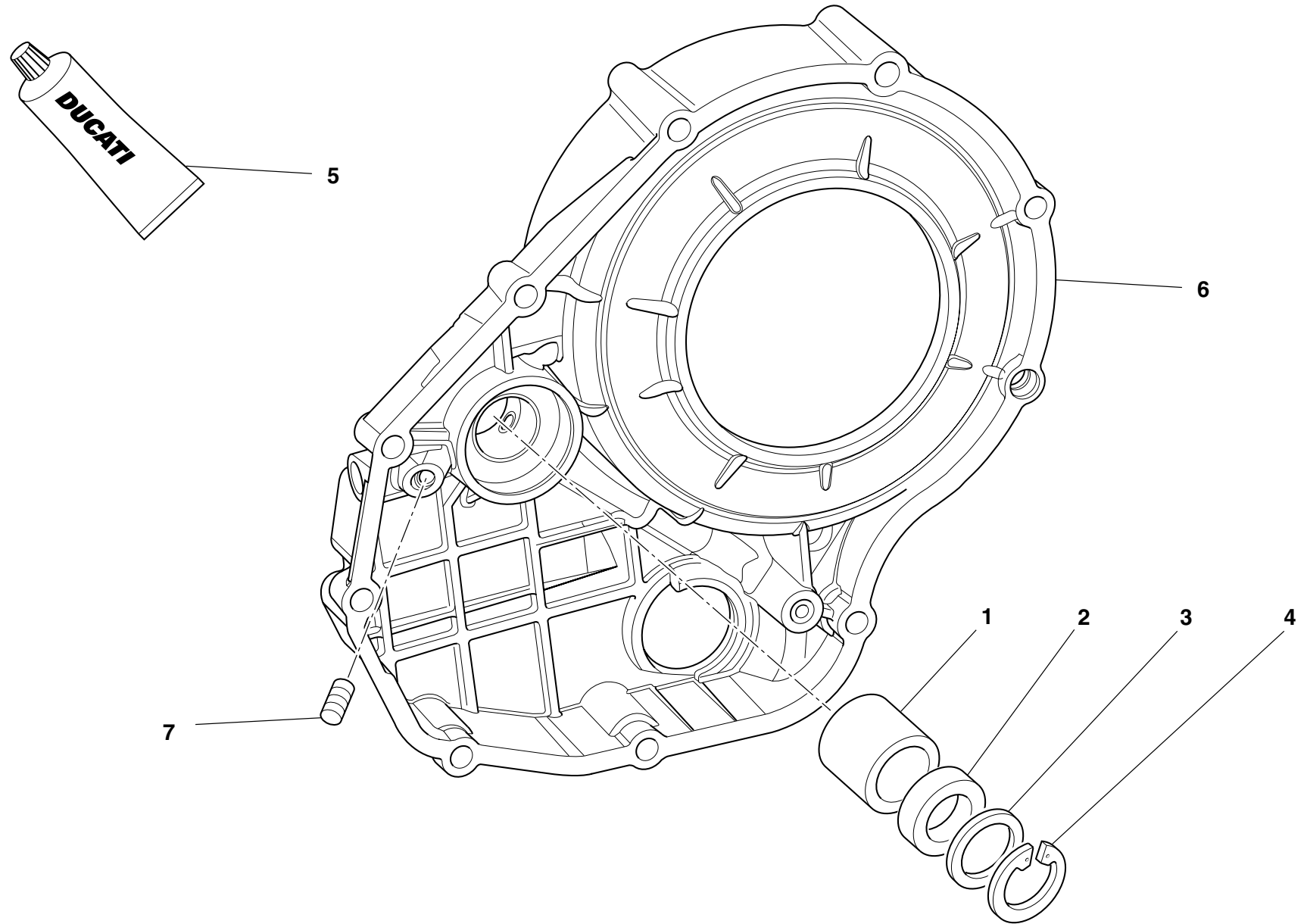


DRAWING **005** **CLUTCH COVER**


NOTES	NO.	CODE NO.	DESCRIPTION	VALIDITY	Q.TY	
	1	243.1.025.1AD	Clutch protection cover		1	
	2	771.1.026.1A	Screw		2	
	3	771.5.078.8B	Screw		1	
	4	254.4.001.1A	Oil level sight glass		1	
	5	771.5.069.8B	Screw		6	
	6	930.4.034.1A	Ring		1	
	7	93823.2082	O-ring		1	
	8	771.1.027.1A	Screw		2	
	9	539.4.030.1A	Switch		1	
	10	852.1.195.1A	Gasket th.2		1	
	11	893.1.005.1A	Cap		1	
	12	93827.0114	O-ring		1	
	13	0400.49.240	Locating bush		1	
	14	788.1.052.1A	Clutch cover gasket		1	
	15	780.5.001.1A	Cap		1	
	16	852.5.024.1A	Gasket th.1		1	
	17	771.5.079.8B	Screw		1	

NOTES	NO.	CODE NO.	DESCRIPTION	VALIDITY	Q.TY	
-------	-----	----------	-------------	----------	------	---

DRAWING **005a** CLUTCH COVER



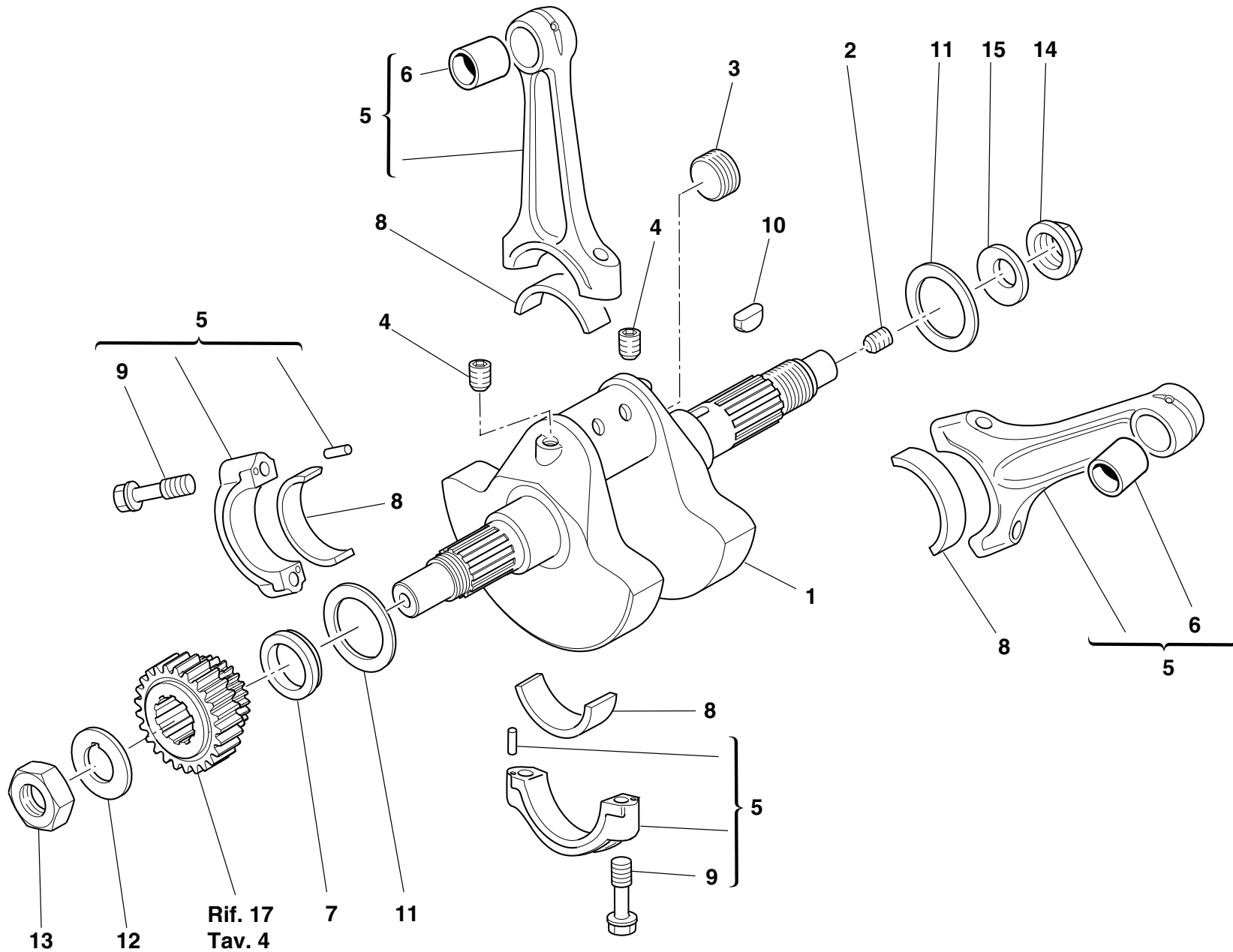
DRAWING **005a** CLUTCH COVER

NOTES	NO.	CODE NO.	DESCRIPTION	VALIDITY	Q.TY	
	1	0665.49.680	Bush		1	
	2	930.4.021.1A	Seal ring		1	
	3	852.1.135.1A	Shim th. 1		1	
	4	884.5.013.1A	Circlip		1	
	5	94247.0014	Fluid sealant		1	
	6	243.2.038.3A	Cover clutch side		1	
	7	417.6.011.3A	Threaded dowel		1	


NOTES	NO.	CODE NO.	DESCRIPTION	VALIDITY	Q.TY	
-------	-----	----------	-------------	----------	------	---

DRAWING 006


CRANKSHAFT



DRAWING **006** **CRANKSHAFT**

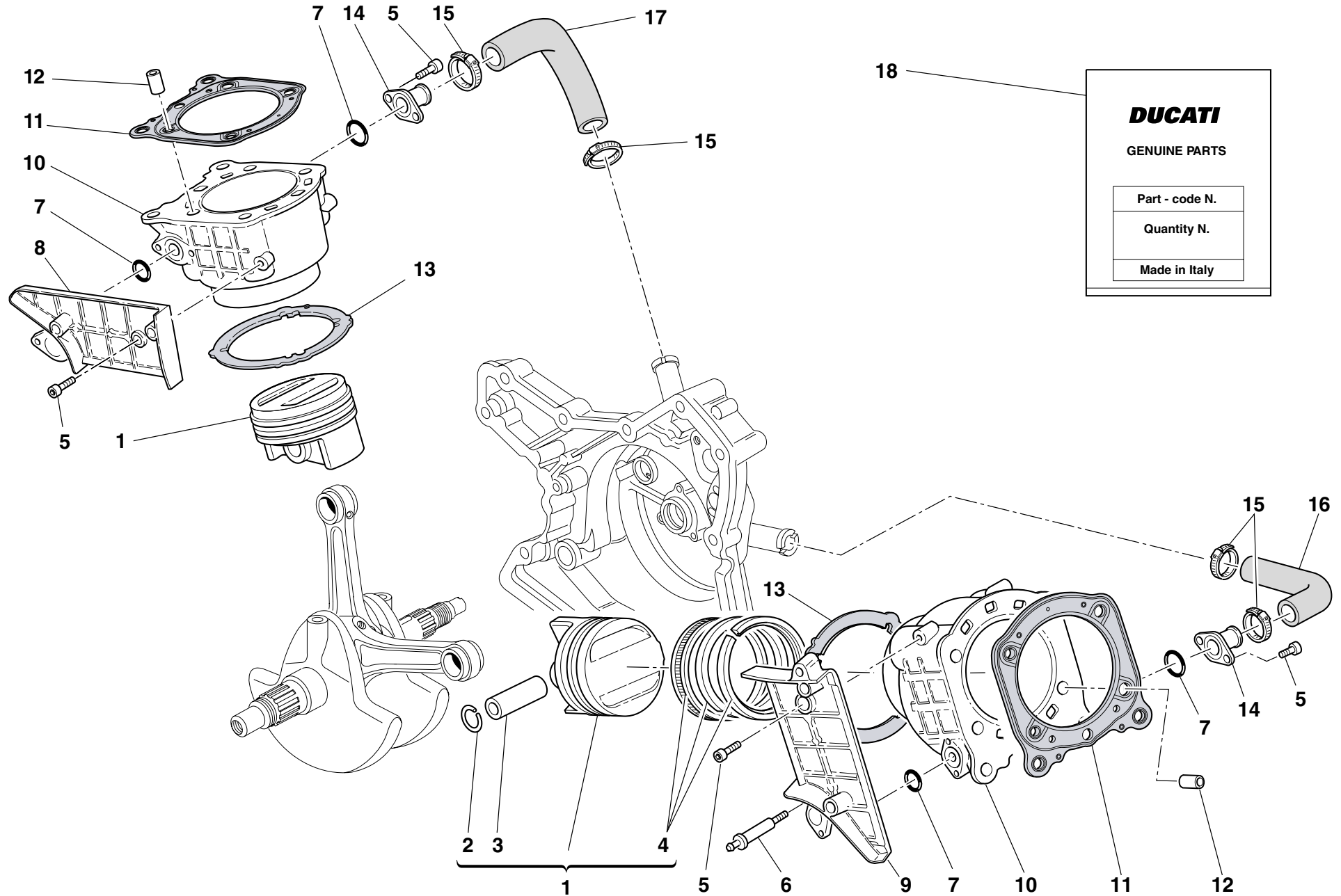
NOTES	NO.	CODE NO.	DESCRIPTION	VALIDITY	Q.TY	
	1	146.2.108.1A	Crankshaft		1	
	2	779.1.109.1A	Special screw		1	
	3	780.1.016.1A	Cap		1	
	4	72121.2106	Threaded dowel		2	
	5	158.2.020.1A	Connecting rods pair		1	
	6	711.1.089.1A	Bush		2	
	7	710.1.061.1A	Spacer		1	
	8	112.1.026.1AA	Half-bearing (RED)		2	
	8	112.1.026.1AB	Half-bearing (BLUE)		2	
	9	779.1.007.2A	Special screw		4	
	10	0755.29.025	Woodruff key		1	
	11	852.1.104.1A	Shim th. 1.9		2	
	11	852.1.104.1B	Shim th. 1.95		2	
	11	852.1.104.1C	Shim th. 2		2	
	11	852.1.104.1D	Shim th. 2,05		2	
	11	852.1.104.1E	Shim th. 2,1		2	
	11	852.1.104.1F	Shim th. 2,15		2	
	11	852.1.104.1G	Shim th. 2.2		2	
	11	852.1.104.1H	Shim th. 2.25		2	
	11	852.1.104.1I	Shim th. 2.3		2	
	11	852.1.104.1J	Shim th. 2.35		2	
	11	852.1.104.1K	Shim th. 2,4		2	
	11	852.1.104.1L	Shim th. 2,45		2	
	11	852.1.104.1M	Shim th. 2.5		2	
	11	852.1.104.1N	Shim th. 2.55		2	
	12	851.1.010.1A	Lock washer		1	
	13	750.1.057.1A	Nut		1	

CATALOGUE No: 915.1.211.2A  
ISSUED: 12 - 04

NOTES	NO.	CODE NO.	DESCRIPTION	VALIDITY	Q.TY	
	14	750.1.012.2A	Nut		1	
	15	799.1.051.2A	Spring washer		1	

CATALOGUE No: 915.1.211.2A  
ISSUED: 12 - 04


DRAWING **007** CYLINDERS - PISTONS




**DUCATI**  
GENUINE PARTS

Part - code N.
Quantity N.
Made in Italy

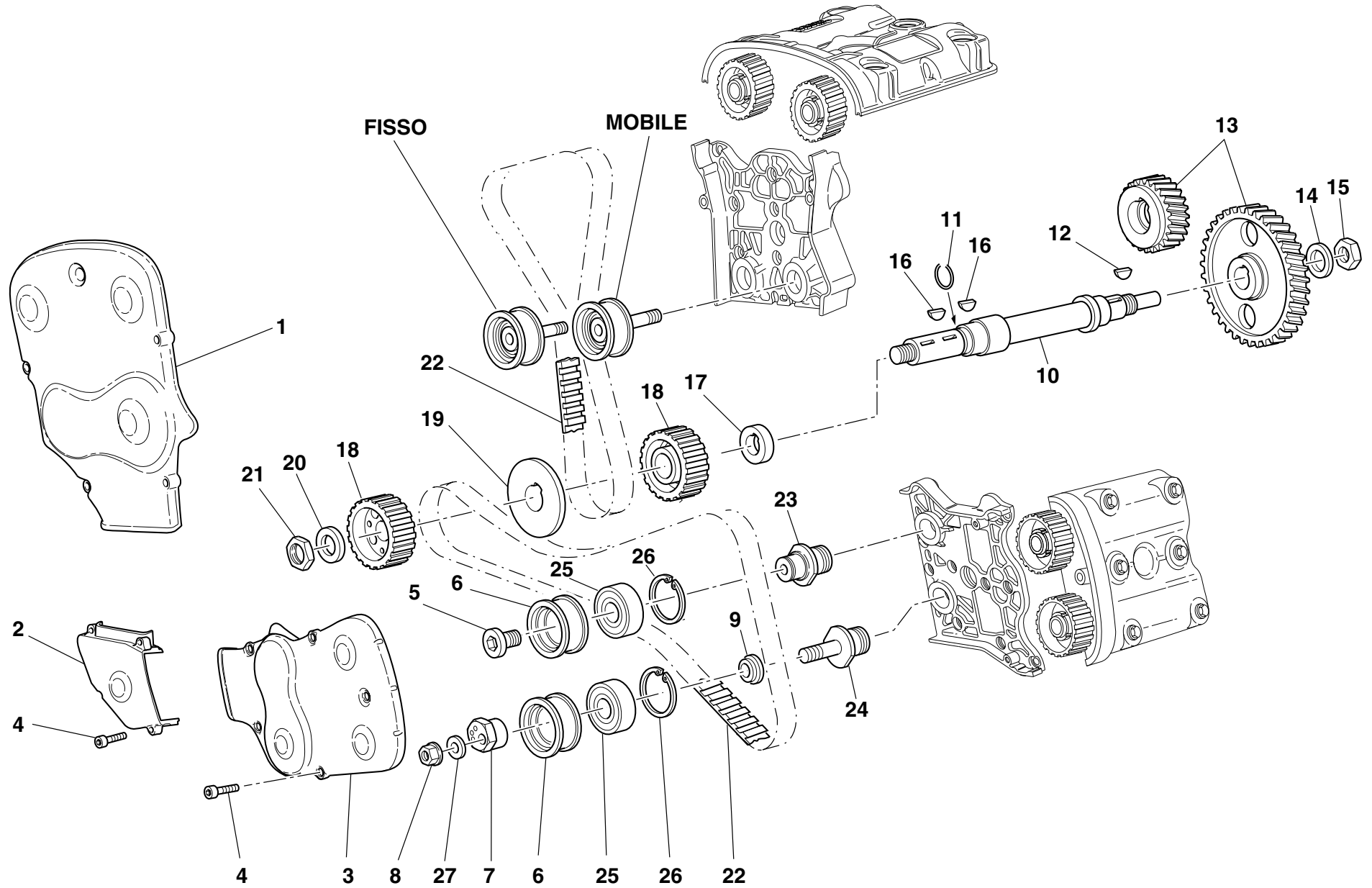
DRAWING **007** CYLINDERS - PISTONS

NOTES	NO.	CODE NO.	DESCRIPTION	VALIDITY	Q.TY	
	1	122.2.064.1A	Complete piston ø100		2	
	2	121.1.079.1A	Piston pin circlip		4	
	3	121.1.078.2A	Piston pin		2	
	4	121.2.031.1A	Piston rings set		2	
	5	771.5.065.8B	Screw		9	
	6	779.1.201.1A	Stud bolt		1	
	7	886.5.011.1A	O-Ring		4	
	8	247.1.120.1A	Cover		1	
	9	247.1.155.1A	Cover		1	
	10	120.2.083.4A	Cylinder-piston fit		2	
	11	786.1.055.3A	Head-cylinder gasket		2	
	12	711.1.093.2A	Bush		4	
	13	786.1.056.1A	Cylinder-crankcase gasket th. 0.4		2	
	14	814.1.081.1A	Water inlet union to cylinders		2	
	15	741.4.002.1A	Hose guide		4	
	16	800.1.008.1A	Horizontal cylinder water inlet hose		1	
	17	800.1.007.1A	Vertical cylinder water inlet hose		1	
	18	791.2.028.1A	Gaskets set		1	

NOTES	NO.	CODE NO.	DESCRIPTION	VALIDITY	Q.TY	
-------	-----	----------	-------------	----------	------	---

DRAWING 008

TIMING






DRAWING **008** **TIMING**

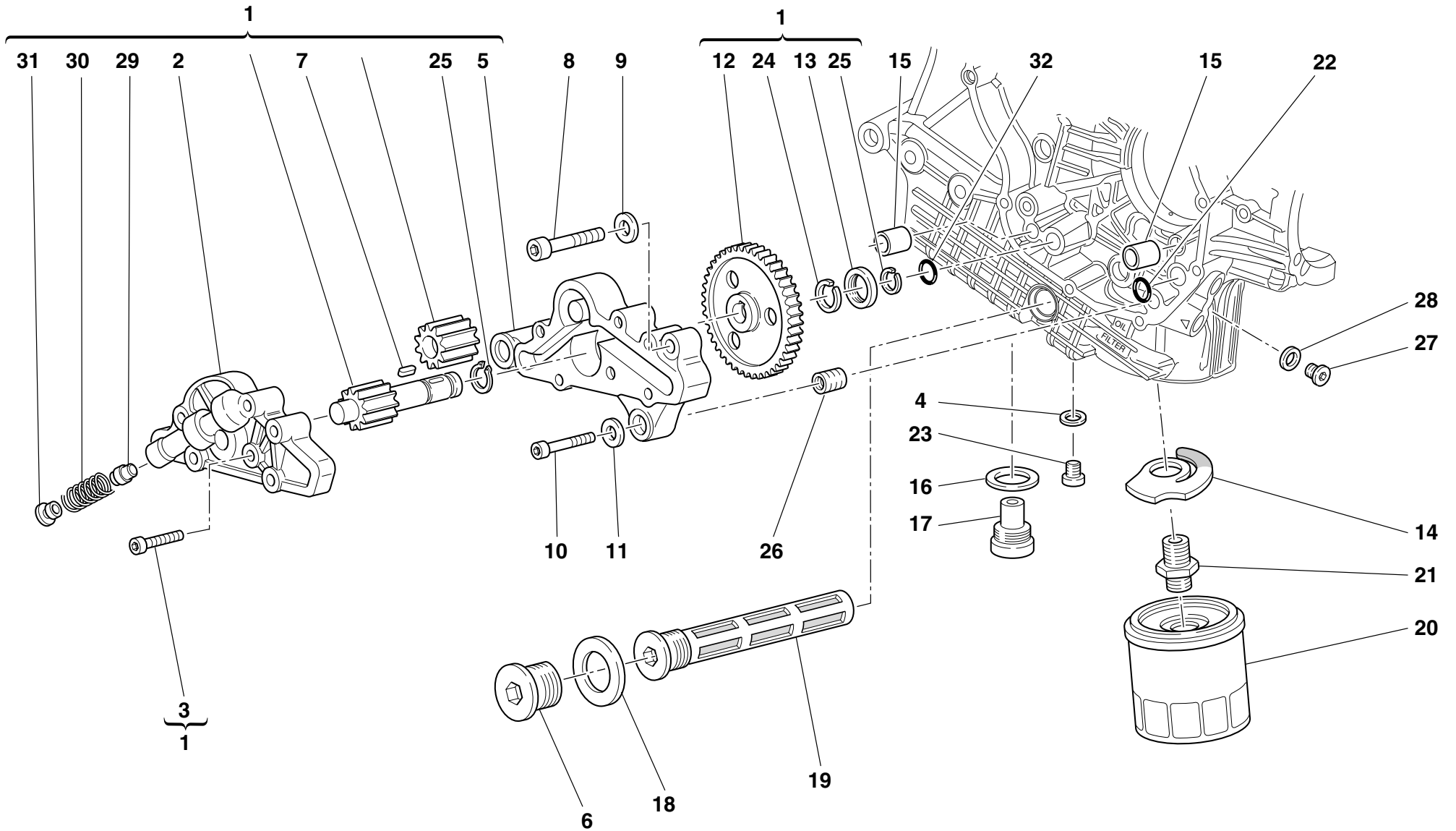
NOTES	NO.	CODE NO.	DESCRIPTION	VALIDITY	Q.TY	
	1	245.1.045.1A	Vertical belt outer cover		1	
	2	245.1.027.1A	Outer central cover		1	
	3	245.1.046.1A	Horizontal belt outer cover		1	
	4	773.5.069.8B	Screw		13	
	5	779.1.187.1A	Setscrew		2	
	6	451.1.018.2A	Bush		4	
	7	451.1.020.1C	Tensioner eccentric		2	
	8	748.1.044.1A	Nut		2	
	9	713.1.144.1A	Spacer		2	
	10	147.1.014.1A	Timing lay shaft		1	
	11	882.1.003.1A	Snap ring		1	
	12	0755.29.025	Woodruff key		1	
	13	171.2.020.2B	Timing gears pair		1	
	14	851.1.013.1A	Lock washer		1	
	15	0124.40.060	Hexagon nut		1	
	16	74172.1008	Woodruff key		2	
	17	716.1.073.2A	Spacer		1	
	18	255.1.010.2B	Timing belt roller		2	
	19	856.1.062.2A	Belt roller separating washer		1	
	20	716.1.072.2A	Spacer		1	
	21	72944.1542	Elastic-stop ring nut		1	
	22	737.4.012.4A	Timing drive toothed belt		2	
	23	451.1.017.1A	Fixed tensioner roller pin		2	
	24	451.1.019.1C	Movable tensioner roller pin		2	
	25	702.4.058.1A	Bearing		4	
	26	7350.33.804	Circlip		4	
	27	853.1.002.1A	Spring washer		2	

CATALOGUE No: 915.1.211.2A  
ISSUED: 12 - 04


NOTES	NO.	CODE NO.	DESCRIPTION	VALIDITY	Q.TY	
-------	-----	----------	-------------	----------	------	---

CATALOGUE No: 915.1.211.2A  
ISSUED: 12 - 04


DRAWING **009** FILTERS AND OIL PUMP



DRAWING **009** FILTERS AND OIL PUMP

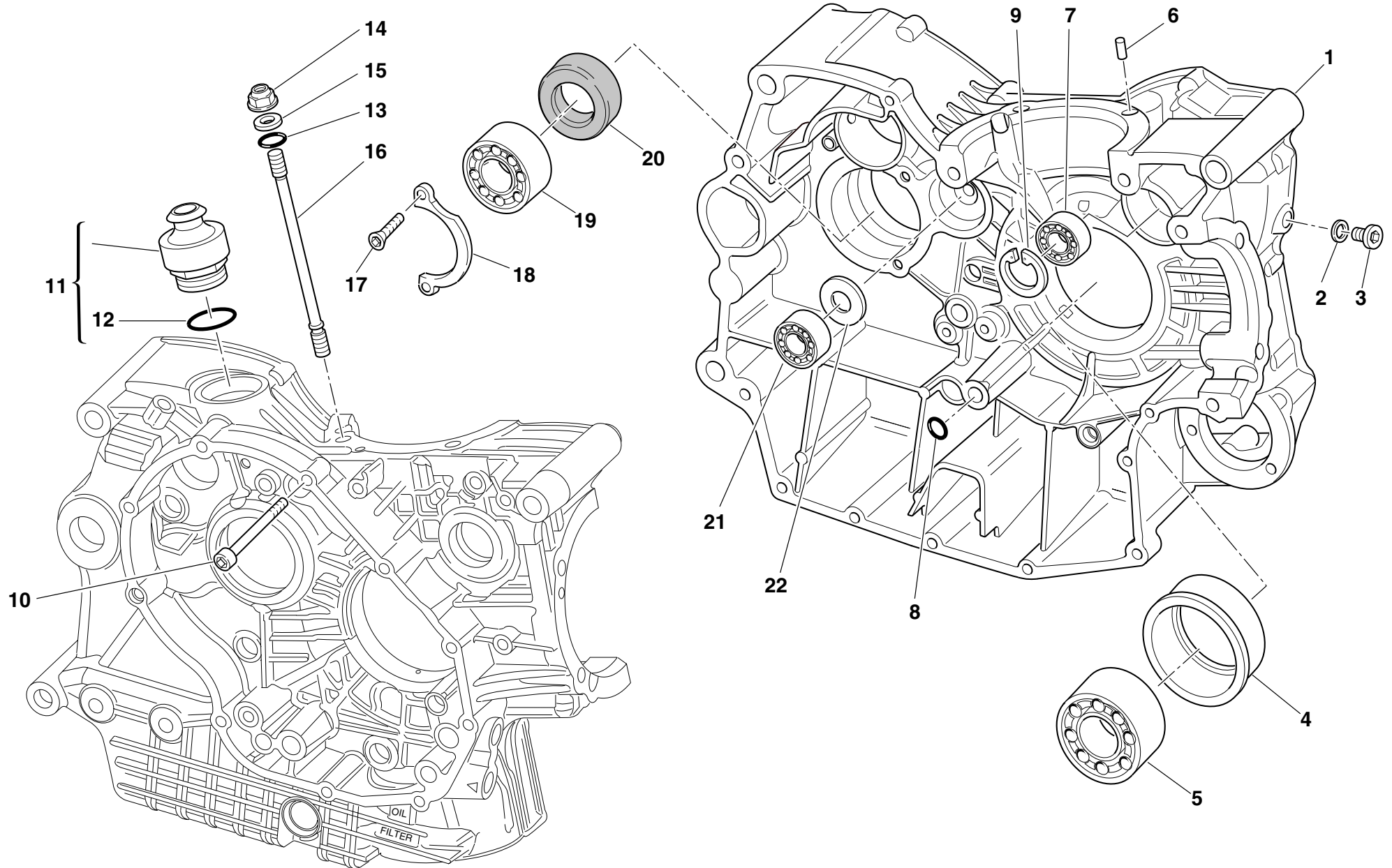
NOTES	NO.	CODE NO.	DESCRIPTION	VALIDITY	Q.TY	
	1	174.2.025.5A	Complete oil pump		1	
	2	247.1.174.1A	Pump cover		1	
	3	773.5.069.8B	Screw		6	
	4	852.1.120.1A	Aluminium gasket		1	
	5	250.1.038.1A	Pump body		1	
	6	873.1.037.1A	Cap		1	
	7	680.1.001.1B	Woodruff key		1	
	8	771.5.129.8B	Screw		2	
	9	853.1.002.1A	Spring washer		2	
	10	771.5.069.8B	Screw		1	
	11	853.1.004.1A	Spring washer		1	
	12	174.1.025.1A	Pump drive gear		1	
	13	710.1.001.1A	Bush		1	
	14	799.2.077.2A	Bypass spring		1	
	15	0759.49.280	Locating bush		2	
	16	220.3.208.3A	Gasket		1	
	17	780.2.047.1A	Oil drain plug with magnet		1	
	18	852.5.005.1A	Gasket th.1,5		1	
	19	894.2.009.1A	Oil filter		1	
	20	444.4.003.4A	Oil filter cartridge		1	
	21	0670.49.910	Nipple		1	
	22	93827.0114	O-ring		1	
	23	779.1.198.2A	Cap		1	
	24	884.4.042.1A	Snap ring		1	
	25	884.5.036.1A	Circlip		2	
	26	0670.49.310	Reduction bush		1	
	27	779.1.162.2A	Cap		1	

CATALOGUE No: 915.1.211.2A  
ISSUED: 12 - 04


NOTES	NO.	CODE NO.	DESCRIPTION	VALIDITY	Q.TY	
	28	852.1.195.1A	Gasket th.2		1	
	29	593.1.018.1A	Bypass valve		1	
	30	799.1.055.1A	Bypass spring		1	
	31	780.1.018.1A	Bypass cap		1	
	32	886.4.037.1A	O-ring		1	


CATALOGUE No: 915.1.211.2A  
ISSUED: 12 - 04

DRAWING **010** HALF CRANKCASES

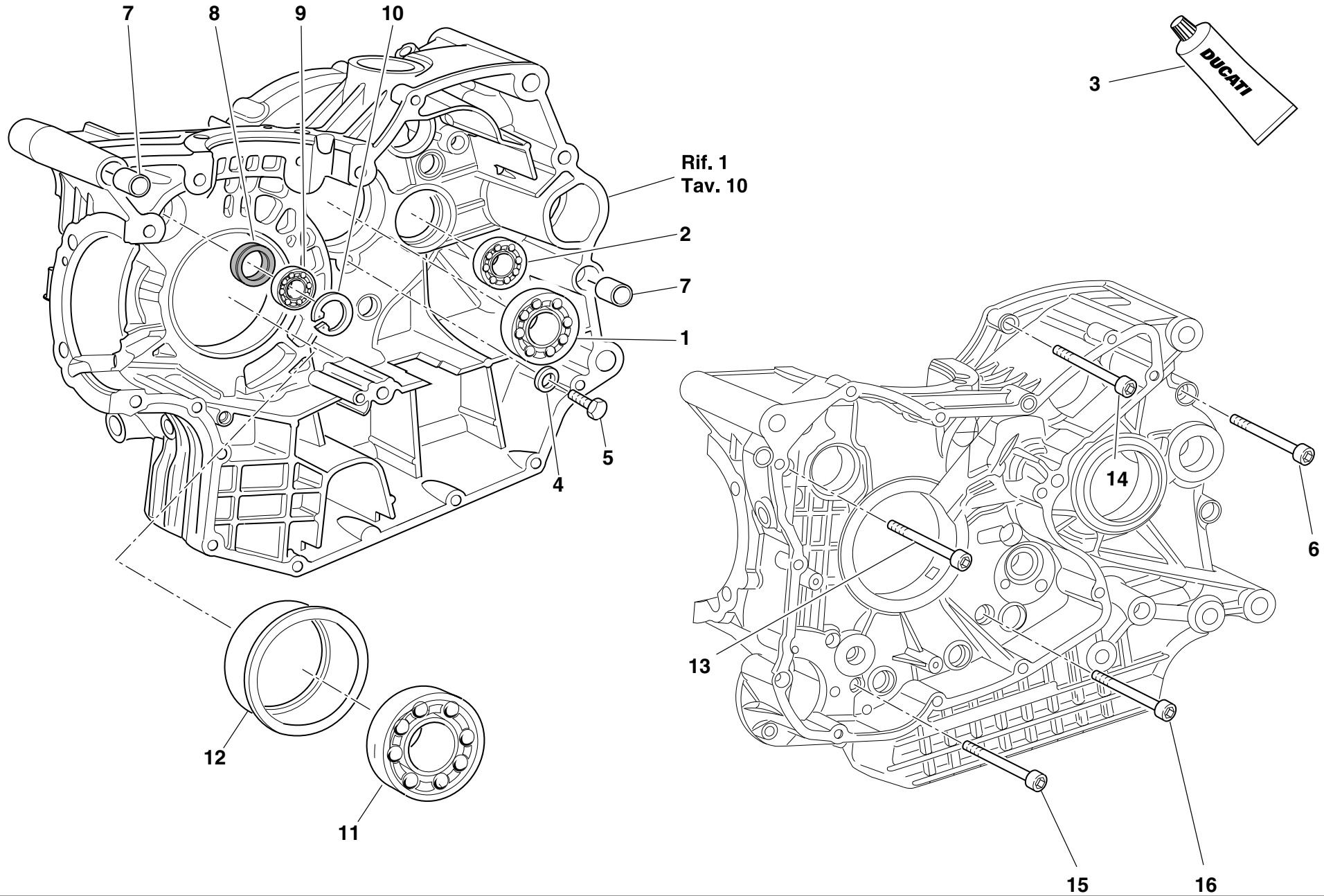


DRAWING **010** HALF CRANKCASES


NOTES	NO.	CODE NO.	DESCRIPTION	VALIDITY	Q.TY	
	1	225.2.069.2A	Complete half-crankcases pair		1	
	2	852.5.026.1A	Aluminium gasket th.1,5		1	
	3	779.1.026.2A	Screw		1	
	4	710.1.070.1A	Bearing holder bush		1	
	5	75191.3380	Bearing		1	
	6	0011.52.010	Locating dowel		2	
	7	702.5.008.1A	Bearing		1	
	8	93827.0114	O-ring		1	
	9	73503.3380	Circlip		1	
	10	771.5.136.8B	Screw		2	
	11	593.1.003.1B	Breather valve		1	
	12	93823.3156	O-ring		1	
	13	0400.17.030	O-ring		8	
	14	748.1.038.1A	Nut		8	
	15	856.1.064.2A	Special washer		8	
	16	766.1.024.2A	Stud bolt for fastening head cylinder		8	
	17	72094.1616	Screw		2	
	18	826.1.012.1A	Keep plate		1	
	19	702.4.013.1A	Bearing		1	
	20	930.4.022.1A	Seal ring		1	
	21	702.4.033.1A	Bearing		1	
	22	0370.49.250	Washer		1	

NOTES	NO.	CODE NO.	DESCRIPTION	VALIDITY	Q.TY	
-------	-----	----------	-------------	----------	------	---

DRAWING **010a** HALF CRANKCASES



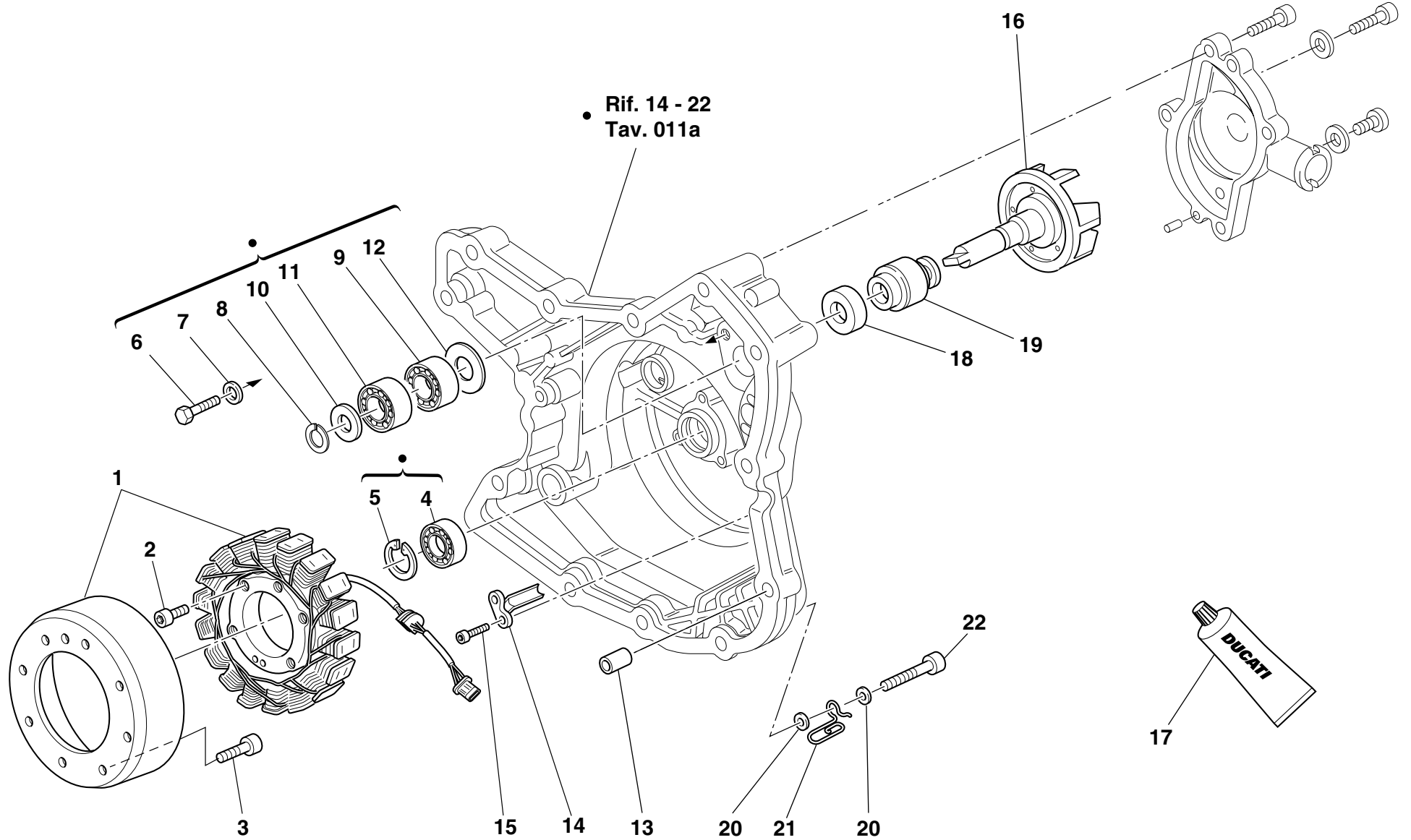
DRAWING **010a** HALF CRANKCASES

NOTES	NO.	CODE NO.	DESCRIPTION	VALIDITY	Q.TY	
	1	702.5.019.1A	Bearing		1	
	2	702.4.033.1A	Bearing		1	
	3	94247.0014	Fluid sealant		1	
	4	713.1.140.1A	Spacer		2	
	5	770.5.250.8B	Screw		2	
	6	771.5.136.8B	Screw		4	
	7	711.1.095.1A	Bush		2	
	8	93785.1830	Seal ring		1	
	9	75794.1542	Bearing		1	
	10	73503.3380	Circlip		1	
	11	702.4.020.1A	Bearing		1	
	12	710.1.069.1A	Bearing holder bush		1	
	13	417.6.082.9A	Screw		2	
	14	771.5.072.8B	Screw		8	
	15	771.5.080.8B	Screw		2	
	16	779.1.029.2A	Special screw		1	

NOTES	NO.	CODE NO.	DESCRIPTION	VALIDITY	Q.TY	
-------	-----	----------	-------------	----------	------	---


DRAWING 011

WATER PUMP - ALTERNATOR COVER



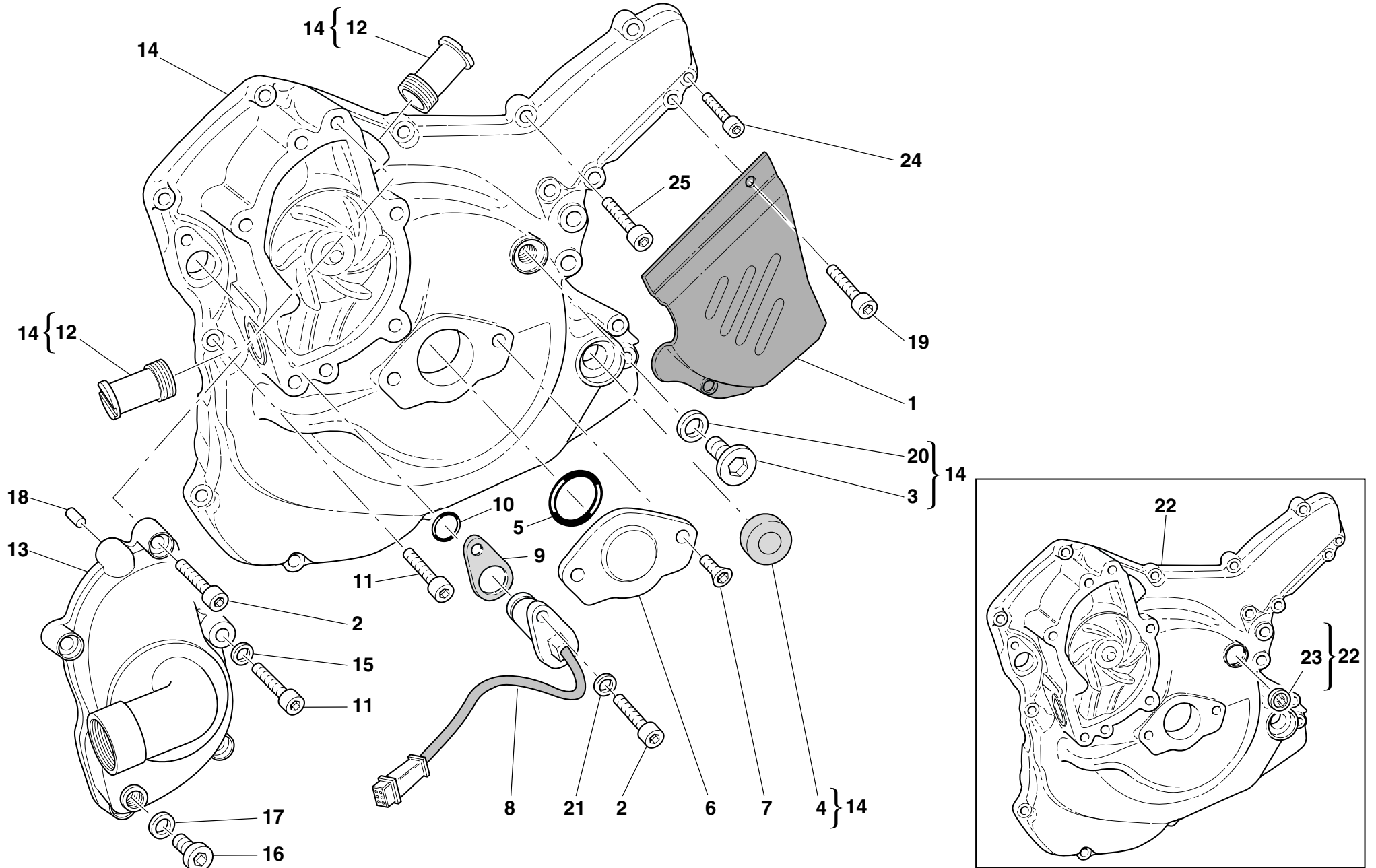


DRAWING **011** WATER PUMP - ALTERNATOR COVER


NOTES	NO.	CODE NO.	DESCRIPTION	VALIDITY	Q.TY	
	1	264.4.014.3B	Generator "DENSO"		1	
	2	771.5.073.8B	Screw		3	
	3	779.4.075.1A	Screw		8	
	4	702.5.008.1A	Bearing		1	
	5	73503.3380	Circlip		1	
	6	770.5.250.8B	Screw		2	
	7	852.1.172.1A	Washer		2	
	8	884.5.011.1A	A 10 Ring		1	
	9	702.4.010.2A	Bearing		1	
	10	852.1.114.1A	Washer		1	
	11	702.4.009.1A	Bearing		1	
	12	713.1.128.1B	Spacer		1	
	13	0400.49.240	Locating bush		2	
	14	830.1.144.1A	Bracket		1	
	15	771.5.040.8B	Screw		2	
	16	251.2.009.1A	Water pump fan		1	
	17	94247.0014	Fluid sealant		1	
	18	930.5.005.1A	Seal		1	
	19	930.5.006.2B	Mechanical seal		1	
	20	734306N01	Washer		2	
	21	881.1.030.1A	Holder		1	
	22	771.5.072.2B	Screw		1	


NOTES	NO.	CODE NO.	DESCRIPTION	VALIDITY	Q.TY	
-------	-----	----------	-------------	----------	------	---

DRAWING **011a** WATER PUMP - ALTERNATOR COVER

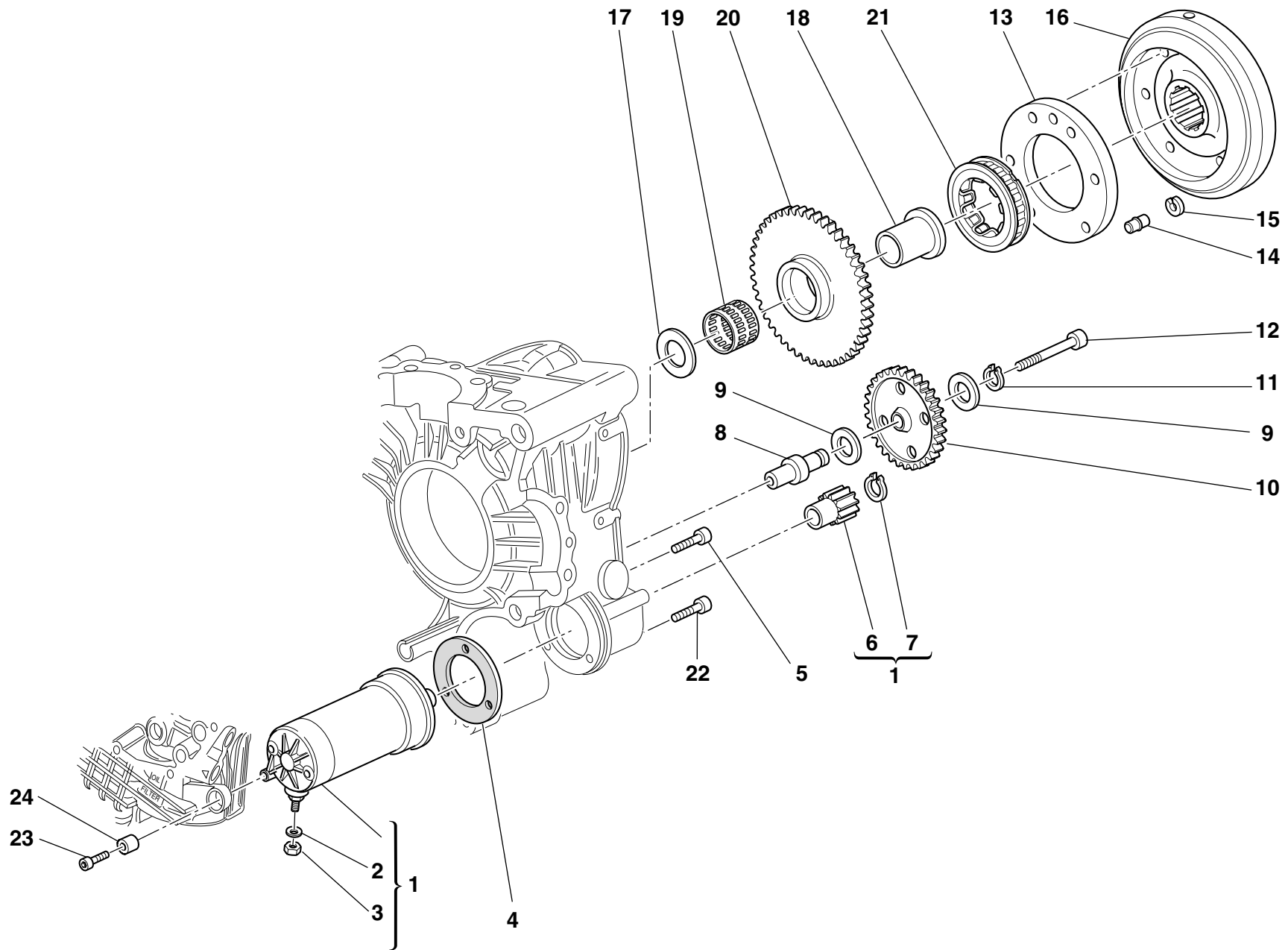


DRAWING **011a** WATER PUMP - ALTERNATOR COVER


NOTES	NO.	CODE NO.	DESCRIPTION	VALIDITY	Q.TY	
	1	247.1.083.1AE	Chain cover		1	
	2	771.5.066.8B	Screw		5	
	3	779.1.198.2A	Cap		1	
	4	93783.1524	Seal ring		1	
	5	886.4.035.1A	O-ring		1	
	6	247.1.002.1BC	Cover		1	
	7	777.5.049.8B	Screw		2	
	8	552.4.020.1A	Sensor		1	
	9	788.1.066.1AA	Gasket th.0,6		2	
	9	788.1.066.1AB	Gasket th.0,8		1	
	9	788.1.066.1AC	Gasket th.1,0		1	
	10	886.4.003.1A	O-ring		1	
	11	771.5.069.8B	Screw		9	
	12	668.1.001.3A	Water pump delivery filler		2	
	13	247.2.166.2A	Complete water pump cover		1	
	14	242.2.062.1A	Generator cover		1	
	15	852.5.023.1A	Gasket		1	
	16	780.5.001.1A	Cap		1	
	17	420.2.001.0A	Gasket th.1		1	
	18	0011.52.010	Locating dowel		2	
	19	771.5.065.8B	Screw		2	
	20	852.1.120.1A	Aluminium gasket		1	
	21	734006N01	Spring washer		1	
	22	242.2.038.2BB	Generator cover		1	
	23	254.1.001.1A	Oil level sight glass		1	


NOTES	NO.	CODE NO.	DESCRIPTION	VALIDITY	Q.TY	
-------	-----	----------	-------------	----------	------	---

DRAWING **012** ELECTRIC STARTER AND IGNITION



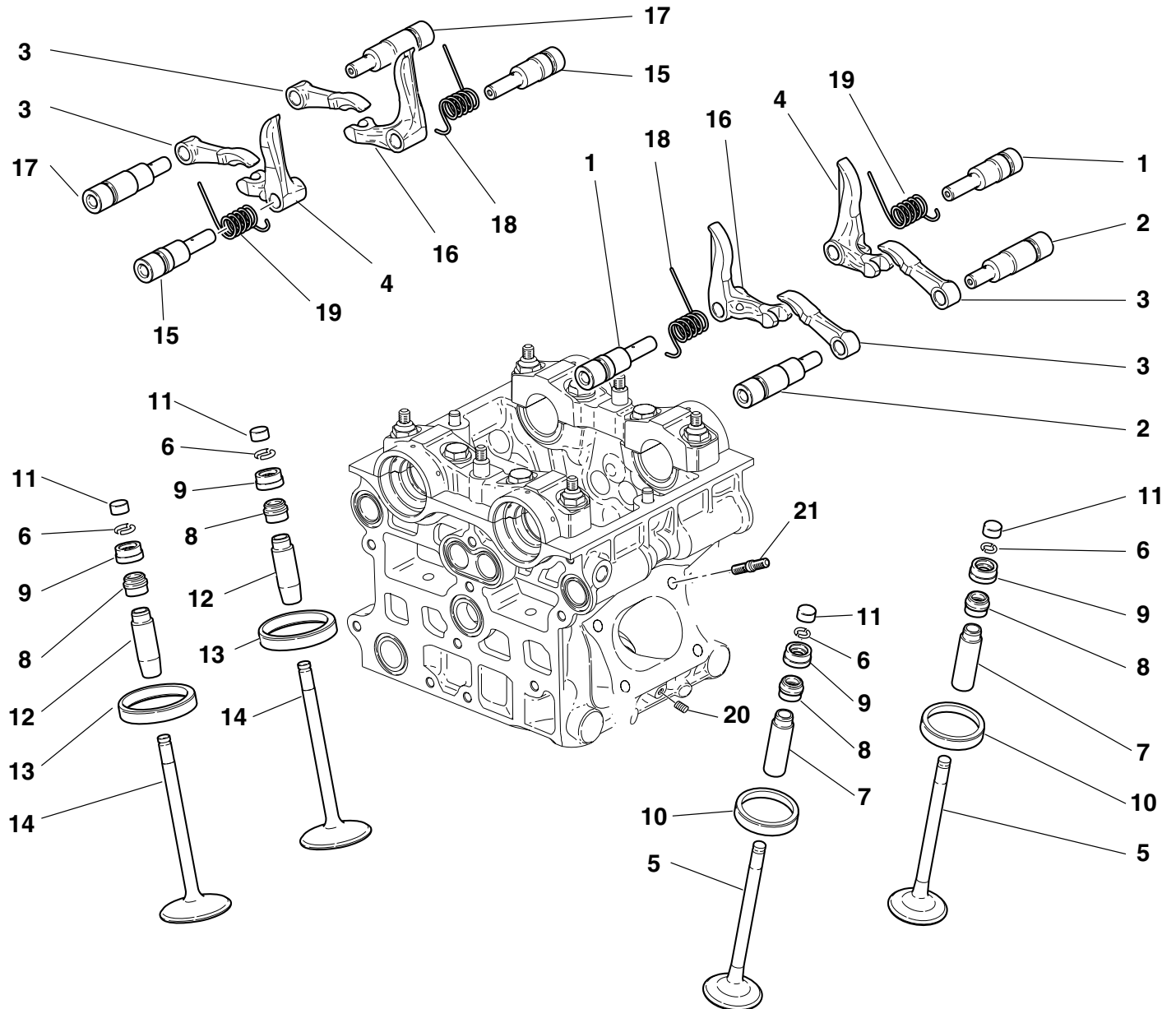
DRAWING **012** ELECTRIC STARTER AND IGNITION

NOTES	NO.	CODE NO.	DESCRIPTION	VALIDITY	Q.TY	
	1	270.4.005.1A	Complete starter motor		1	
	2	853.1.003.1A	Spring washer		1	
	3	750.1.121.1A	Nut		1	
	4	788.1.054.1A	Starter motor gasket		1	
	5	771.5.066.8B	Screw		2	
	6	176.1.001.1A	Starter motor sprocket		1	
	7	884.5.036.1A	Circlip		1	
	8	0660.50.020	Intermediate gear pin		1	
	9	856.1.071.1A	Washer		2	
	10	176.1.009.1A	Intermediate gear assembly		1	
	11	73500.1440	Circlip		1	
	12	771.5.078.8B	Screw		1	
	13	160.1.057.1A	Flange		1	
	14	863.1.002.1A	Locating pin		1	
	15	882.1.012.1A	Check ring		1	
	16	276.1.025.1B	Ignition flywheel		1	
	17	0619.50.065	Washer		1	
	18	881.1.010.1C	Inner ring		1	
	19	701.4.003.1A	Needle bearing		1	
	20	173.1.012.3A	Electric starter driven gear		1	
	21	701.4.007.1A	Starter clutch		1	
	22	771.5.069.8B	Screw		1	
	23	771.5.071.8B	Screw		1	
	24	700.1.036.1A	Threaded insert		1	


NOTES	NO.	CODE NO.	DESCRIPTION	VALIDITY	Q.TY	
-------	-----	----------	-------------	----------	------	---

DRAWING **013** HEAD: TIMING


11	9
Registro bilanc. apertura Adjustment Réglage Ventilkäppchen	Registro bilanc. chiusura Adjustment Réglage Ventilkäppchen
840.1.031.1A — 1,8	840.1.047.1B — 2,5
840.1.032.1A — 1,85	840.1.048.1B — 2,55
840.1.033.1A — 1,9	840.1.049.1B — 2,6
840.1.034.1A — 1,95	840.1.050.1B — 2,65
840.1.001.1A — 2	840.1.051.1B — 2,7
840.1.002.1A — 2,05	840.1.052.1B — 2,75
840.1.003.1A — 2,1	840.1.053.1B — 2,8
840.1.004.1A — 2,15	840.1.054.1B — 2,85
840.1.005.1A — 2,2	840.1.055.1B — 2,9
840.1.006.1A — 2,25	840.1.056.1B — 2,95
840.1.007.1A — 2,3	840.1.057.1B — 3
840.1.008.1A — 2,35	840.1.058.1B — 3,05
840.1.009.1A — 2,4	840.1.059.1B — 3,1
840.1.010.1A — 2,45	840.1.060.1B — 3,15
840.1.011.1A — 2,5	840.1.061.1B — 3,2
840.1.012.1A — 2,55	840.1.062.1B — 3,25
840.1.013.1A — 2,6	840.1.063.1B — 3,3
840.1.014.1A — 2,65	840.1.064.1B — 3,35
840.1.015.1A — 2,7	840.1.065.1B — 3,4
840.1.016.1A — 2,75	840.1.066.1B — 3,45
840.1.017.1A — 2,8	840.1.067.1B — 3,5
840.1.018.1A — 2,85	840.1.068.1B — 3,55
840.1.019.1A — 2,9	840.1.069.1B — 3,6
840.1.020.1A — 2,95	840.1.070.1B — 3,65
840.1.021.1A — 3	840.1.071.1B — 3,7
840.1.022.1A — 3,05	840.1.072.1B — 3,75
840.1.023.1A — 3,1	840.1.073.1B — 3,8
840.1.024.1A — 3,15	840.1.074.1B — 3,85
840.1.025.1A — 3,2	840.1.075.1B — 3,9
840.1.026.1A — 3,25	840.1.076.1B — 3,95
840.1.027.1A — 3,3	840.1.077.1B — 4
840.1.028.1A — 3,35	840.1.078.1B — 4,05
840.1.029.1A — 3,4	840.1.079.1B — 4,1
840.1.030.1A — 3,45	840.1.080.1B — 4,15
840.1.108.1A — 3,5	840.1.081.1B — 4,2
840.1.109.1A — 3,55	840.1.082.1B — 4,25
840.1.072.1A — 3,6	840.1.083.1B — 4,3
840.1.110.1A — 3,65	840.1.084.1B — 4,35
840.1.111.1A — 3,7	840.1.085.1B — 4,4
840.1.112.1A — 3,75	
840.1.073.1A — 3,8	



DRAWING **013** HEAD: TIMING

NOTES	NO.	CODE NO.	DESCRIPTION	VALIDITY	Q.TY	
	1	821.1.099.4A	Closing rocker shaft		4	
	2	821.1.098.3A	Exhaust opening rocker shaft		4	
	3	208.1.009.6A	Opening rocker		8	
	4	209.1.014.6A	L.H. Closing rocker		4	
	5	211.1.031.1A	Exhaust valve		4	
	6	669.1.001.1E	Split rings		16	
	7	303.1.025.1AB	Oversize valve guide 0.03		4	
	7	303.1.025.1AC	Oversize valve guide 0.06		4	
	7	303.1.025.1AD	Oversize valve guide 0.09		4	
	8	764.1.002.1A	Rubber pad		8	
	9	840.2.002.1B	See table		8	
	10	304.1.033.1A	Exhaust valve seat		4	
	10	304.1.033.1AB	Oversize exhaust valve seat 0.03		4	
	10	304.1.033.1AC	Oversize exhaust valve seat 0.06		4	
	11	840.2.001.1A	See table		8	
	12	303.1.024.1AB	Oversize valve guide 0.03		4	
	12	303.1.024.1AC	Oversize valve guide 0.06		4	
	12	303.1.024.1AD	Oversize valve guide 0.09		4	
	13	304.1.031.1A	Intake valve seat		4	
	13	304.1.031.1AB	Oversize intake valve seat 0.03		4	
	13	304.1.031.1AC	Oversize intake valve seat 0.06		4	
	14	210.1.027.1A	Intake valve		4	
	15	821.1.093.4A	Closing rocker shaft		4	
	16	209.1.013.6A	R.H. Closing rocker		4	
	17	821.1.092.3A	Opening rocker shaft		4	
	18	799.1.095.1A	R.H. valve return spring		4	
	19	799.1.096.1A	L.H. valve return spring		4	

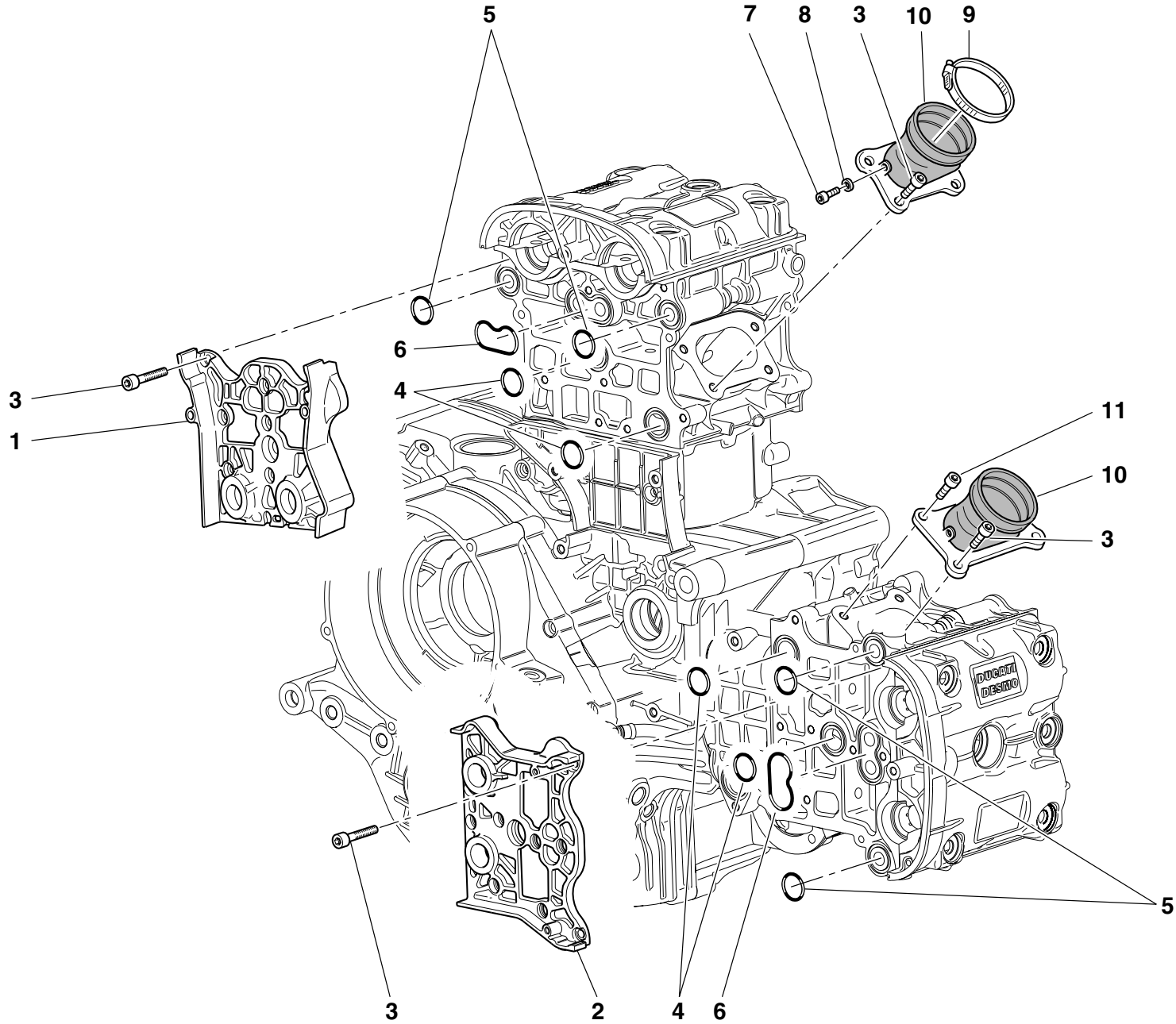
CATALOGUE No: 915.1.211.2A  
ISSUED: 12 - 04

NOTES	NO.	CODE NO.	DESCRIPTION	VALIDITY	Q.TY	
	20	778.5.012.1A	Threaded dowel		2	
	21	766.4.019.1A	Stud bolt		8	

CATALOGUE No: 915.1.211.2A  
ISSUED: 12 - 04


DRAWING 014

COLLECTORS AND HEAD COVERS



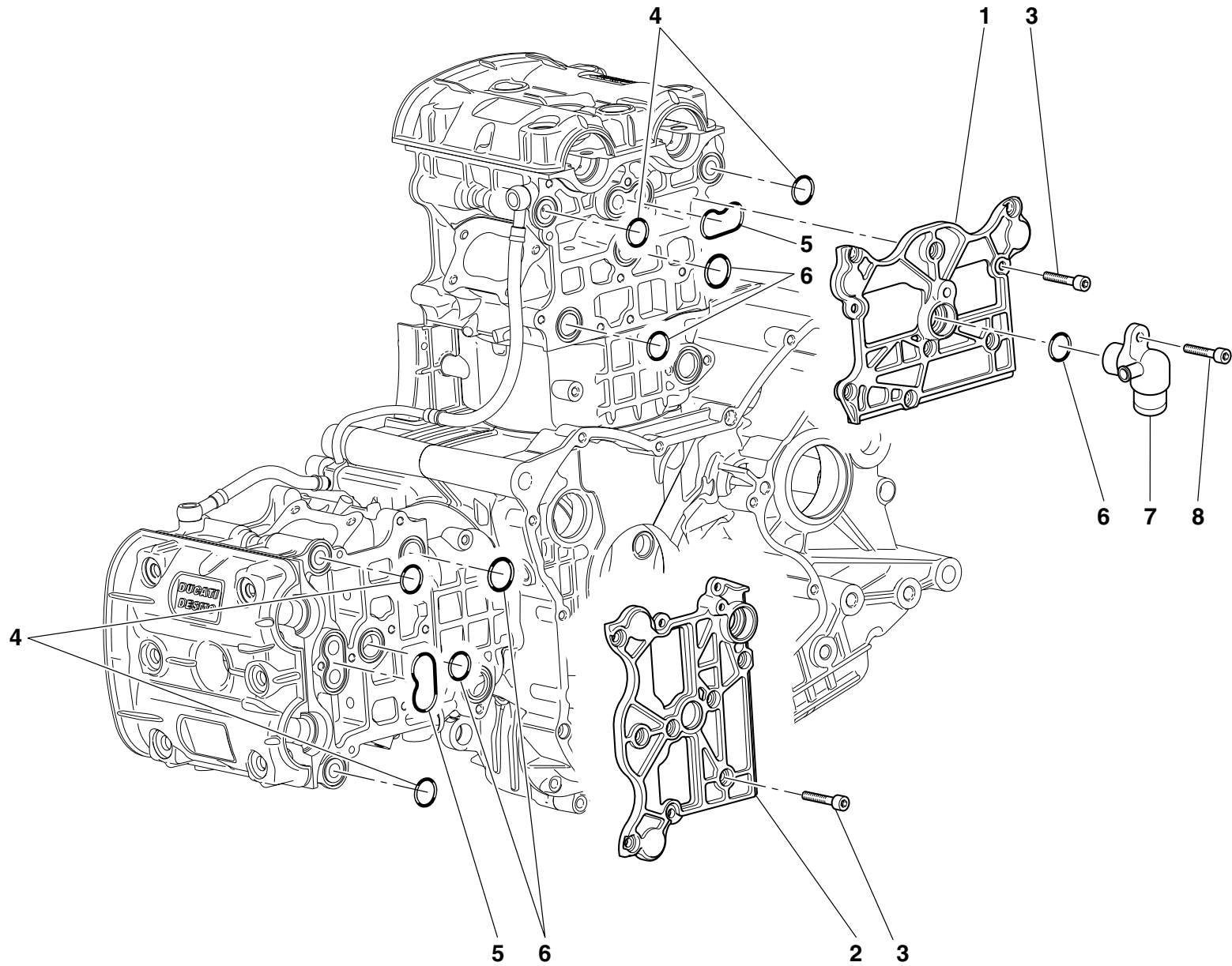


DRAWING **014** COLLECTORS AND HEAD COVERS


NOTES	NO.	CODE NO.	DESCRIPTION	VALIDITY	Q.TY	
	1	247.1.147.1A	Cover		1	
	2	247.1.148.1A	Cover		1	
	3	771.5.065.8B	Screw		28	
	4	93823.2087	O-ring		4	
	5	463.2.050.5A	O-ring		4	
	6	788.1.064.1A	Gasket		2	
	7	773.5.061.8B	Screw		2	
	8	852.5.025.1A	Aluminium gasket th.1		4	
	9	741.4.067.1A	Hose guide		2	
	10	140.1.019.1A	Intake manifold		2	
	11	771.5.066.8B	Screw		2	

NOTES	NO.	CODE NO.	DESCRIPTION	VALIDITY	Q.TY	
-------	-----	----------	-------------	----------	------	---

DRAWING **014a** HEAD COVERS

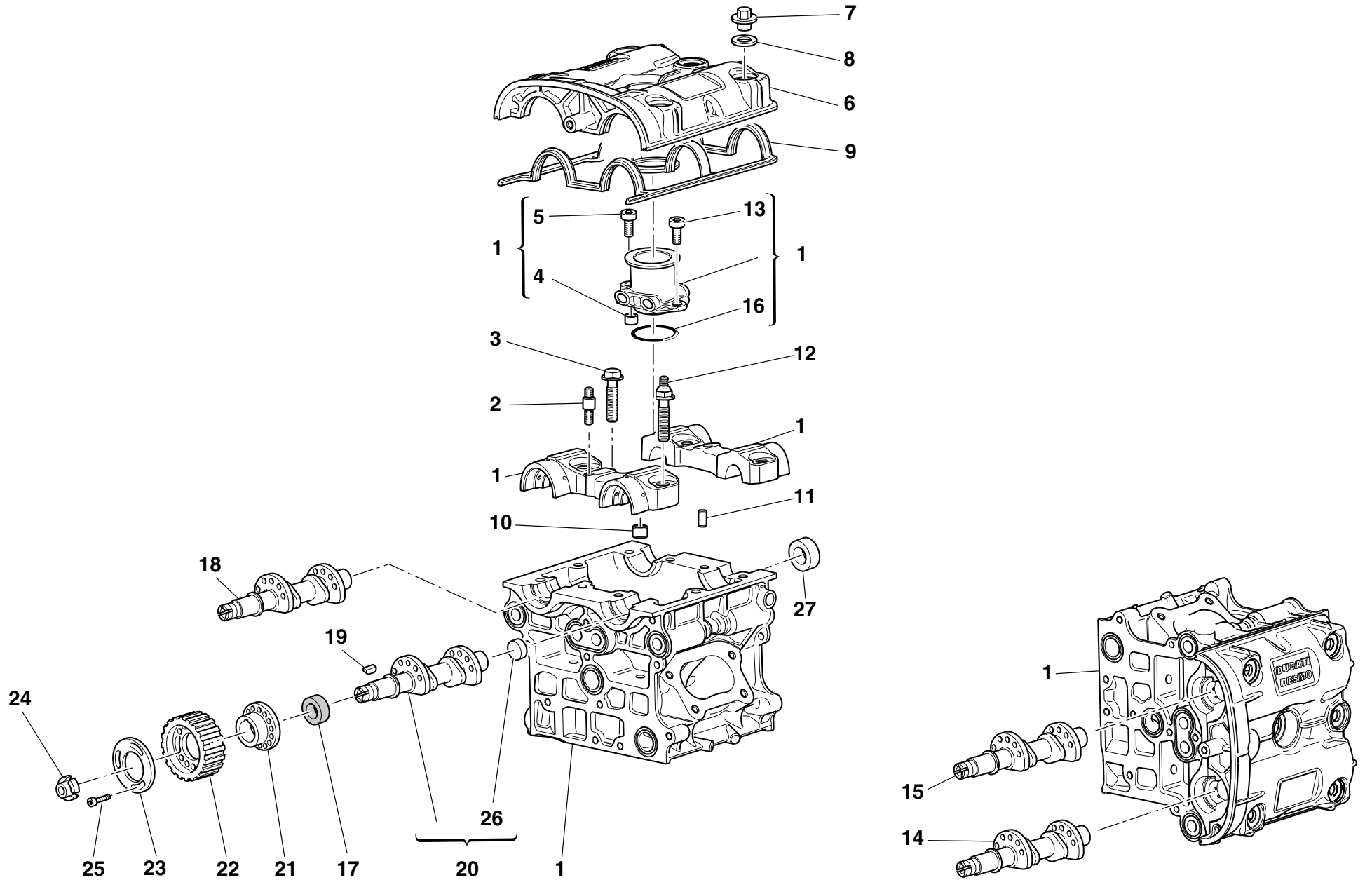


DRAWING **014a** HEAD COVERS


NOTES	NO.	CODE NO.	DESCRIPTION	VALIDITY	Q.TY	
	1	247.1.149.1A	Cover		1	
	2	247.1.150.1A	Cover		1	
	3	771.5.065.8B	Screw		18	
	4	463.2.050.5A	O-ring		4	
	5	788.1.064.1A	Gasket		2	
	6	93823.2087	O-ring		5	
	7	814.1.090.1A	Union		1	
	8	771.5.072.8B	Screw		1	

NOTES	NO.	CODE NO.	DESCRIPTION	VALIDITY	Q.TY	
-------	-----	----------	-------------	----------	------	---


DRAWING 015 HEAD



DRAWING **015** HEAD

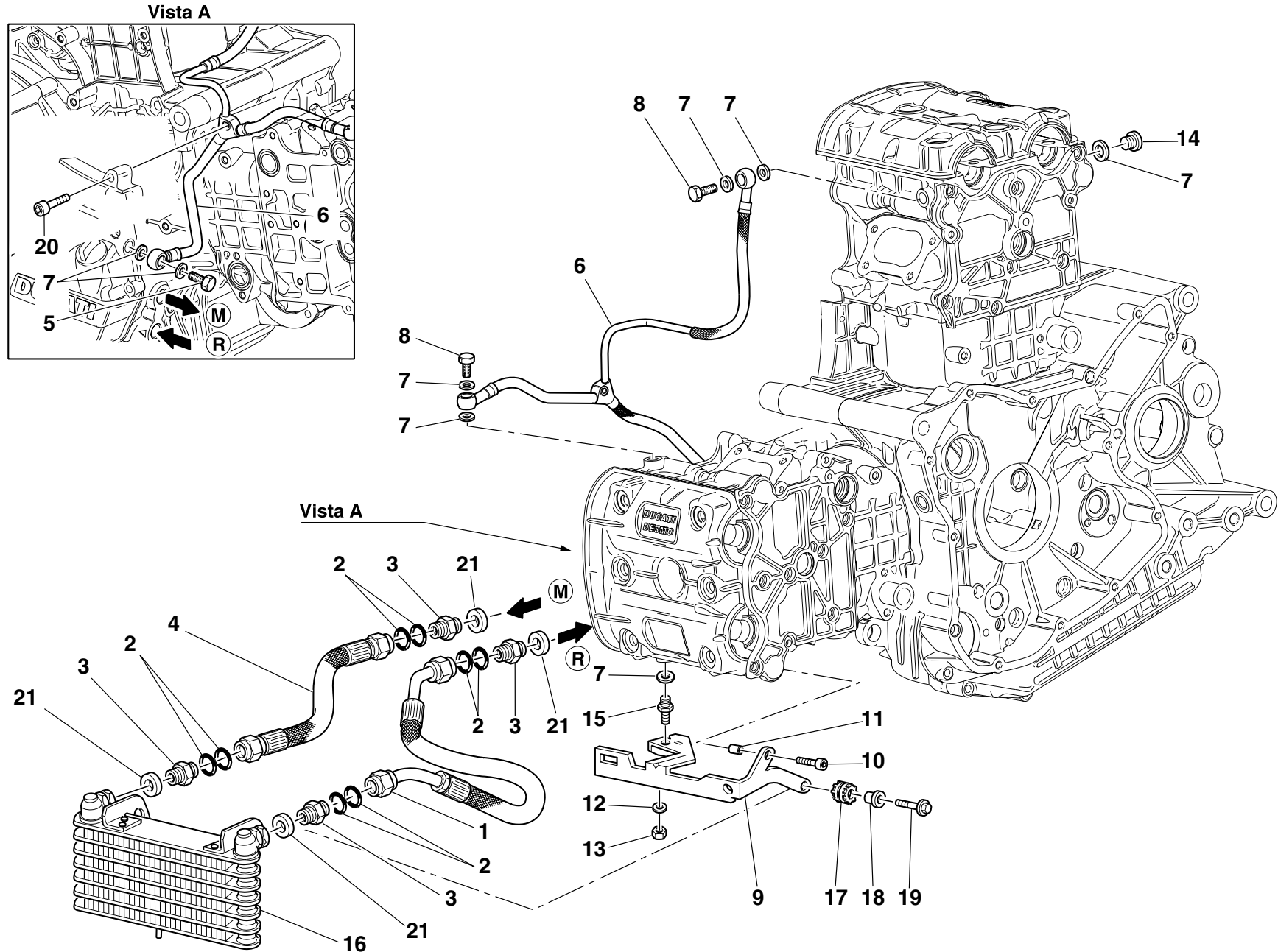
NOTES	NO.	CODE NO.	DESCRIPTION	VALIDITY	Q.TY	
	1	301.2.109.3A	Head (4,5,13,16 included)		2	
	2	766.1.020.1A	Stud bolt		4	
	3	779.1.190.1A	Special screw		8	
	4	711.1.092.2A	Bush		2	
	5	771.5.069.8B	Screw		2	
	6	247.1.122.1A	Cover		2	
	7	750.1.047.1A	Nut		12	
	8	856.1.061.2A	Washer		12	
	9	788.1.062.1A	Head gasket		2	
	10	711.1.091.2A	Bush		8	
	11	418.4.052.7A	Pin		4	
	12	779.1.189.1A	Special screw		8	
	13	771.5.065.8B	Screw		2	
	14	148.2.096.1B	Horizontal exhaust camshaft		1	
	15	148.2.094.1B	Horizontal intake camshaft		1	
	16	886.5.007.1A	O-ring		2	
	17	930.5.007.1A	Seal ring		4	
	18	148.2.097.1B	Vertical exhaust camshaft		1	
	19	680.5.003.1A	Woodruff key		4	
	20	148.2.095.1B	Vertical intake camshaft		1	
	21	160.1.094.1A	Spacer		4	
	22	255.1.019.2A	Timing belt roller		4	
	23	856.1.074.2A	Washer		4	
	24	703.5.002.2A	Ring nut		4	
	25	779.5.030.2A	Screw		12	
	26	873.1.005.1A	Cap		4	
	27	930.4.020.1A	Cap		4	

CATALOGUE No: 915.1.211.2A  
ISSUED: 12 - 04


NOTES	NO.	CODE NO.	DESCRIPTION	VALIDITY	Q.TY	
-------	-----	----------	-------------	----------	------	---


CATALOGUE No: 915.1.211.2A  
ISSUED: 12 - 04

DRAWING **016** OIL COOLER

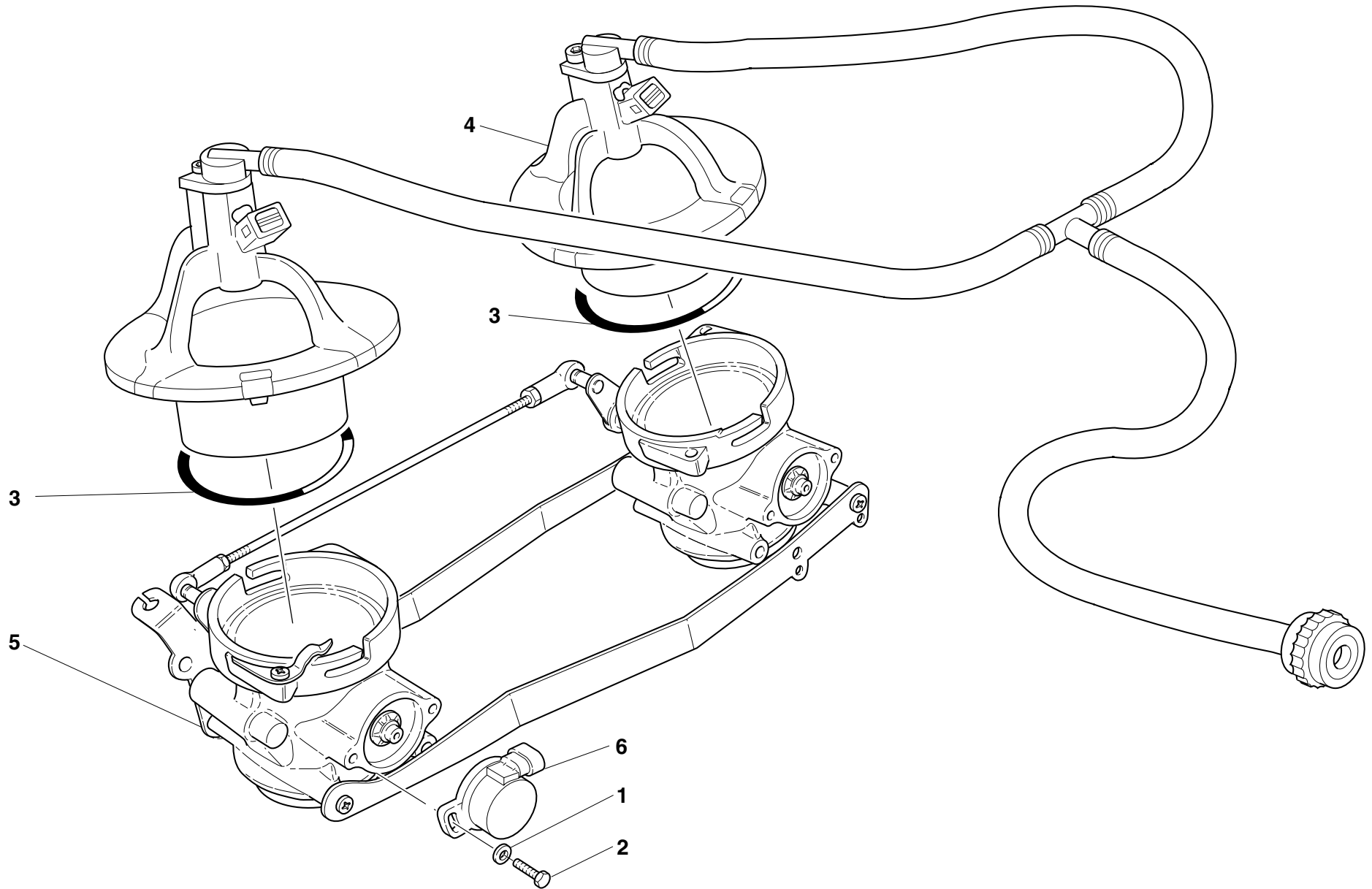


DRAWING **016** OIL COOLER

NOTES	NO.	CODE NO.	DESCRIPTION	VALIDITY	Q.TY	
	1	549.1.018.1C	Oil return pipe		1	
	2	886.5.015.1A	O-Ring		8	
	3	815.1.022.1A	Nipple		4	
	4	549.1.017.1C	Oil delivery pipe		1	
	5	781.1.009.1A	Special screw		1	
	6	875.1.048.2A	Head lubrication pipe		1	
	7	420.2.001.0A	Gasket th.1		8	
	8	779.1.318.1A	Special screw		2	
	9	829.1.280.1B	Holder		1	
	10	771.5.069.8B	Screw		1	
	11	713.1.241.1A	Spacer		1	
	12	734406N01	Washer		1	
	13	729906FN1	Nut		1	
	14	780.5.001.1A	Cap		1	
	15	779.1.215.1A	Special screw		1	
	16	548.4.039.1A	Oil cooler		1	
	17	764.1.022.1A	Vibration damper pad		2	
	18	0000.62652	Spacer		1	
	19	0000.62729	Screw		1	
	20	771.5.041.8B	Screw		1	
	21	852.5.026.1A	Aluminium gasket th.1,5		4	


NOTES	NO.	CODE NO.	DESCRIPTION	VALIDITY	Q.TY	
-------	-----	----------	-------------	----------	------	---


DRAWING **017** THROTTLE BODY



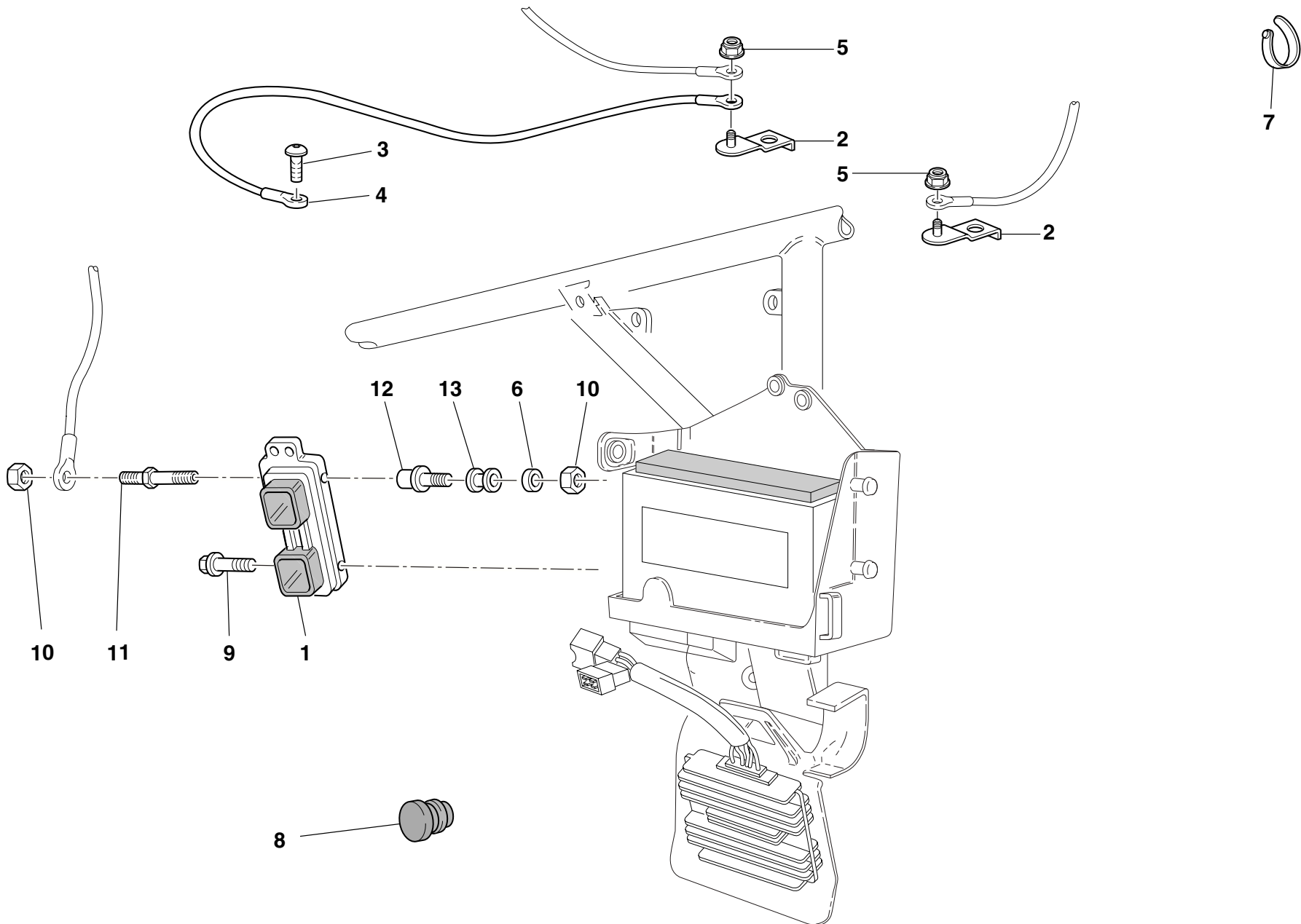


DRAWING **017** THROTTLE BODY


NOTES	NO.	CODE NO.	DESCRIPTION	VALIDITY	Q.TY	
	1	852.4.010.1A	Washer		2	
	2	779.4.063.1A	Screw		2	
	3	886.1.014.1A	O-ring		2	
	4	287.2.004.1A	Injectors kit with hose		1	
	5	282.4.045.1A	Complete throttle body		1	
	6	284.4.002.1A	Potentiometer		1	

NOTES	NO.	CODE NO.	DESCRIPTION	VALIDITY	Q.TY	
-------	-----	----------	-------------	----------	------	---

DRAWING **018** INJECTION CONTROL UNIT

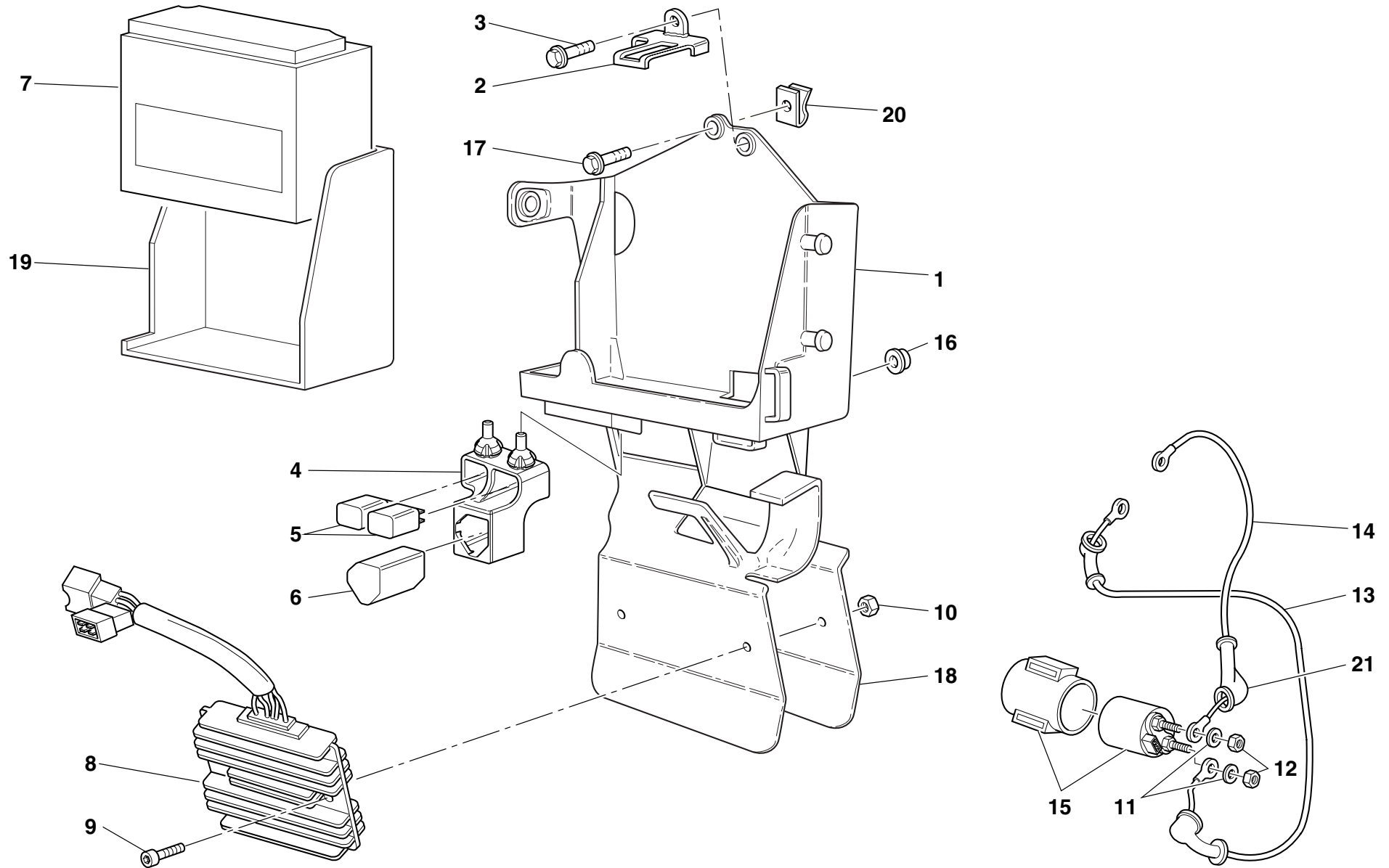


DRAWING **018** INJECTION CONTROL UNIT


NOTES	NO.	CODE NO.	DESCRIPTION	VALIDITY	Q.TY	
	1	286.4.111.1A	Injection control unit		1	
	2	827.2.215.1A	Plate		2	
	3	775.1.006.1A	Special screw		1	
	4	513.1.008.2D	Battery grounding cable		1	
	5	8000.56443	Nut		2	
	6	852.1.160.1A	Washer		2	
	7	8000.53724	Hose guide		8	
	8	872.1.026.1A	Cap		1	
	9	772.5.021.1A	Screw		1	
	10	763106N01	El-stop nut		3	
	11	684.1.052.1A	Stud bolt		1	
	12	821.1.129.1A	Spacer		2	
	13	764.1.084.1A	Vibration damper pad		2	

NOTES	NO.	CODE NO.	DESCRIPTION	VALIDITY	Q.TY	
-------	-----	----------	-------------	----------	------	---

DRAWING **018a** BATTERY BOX MOUNT

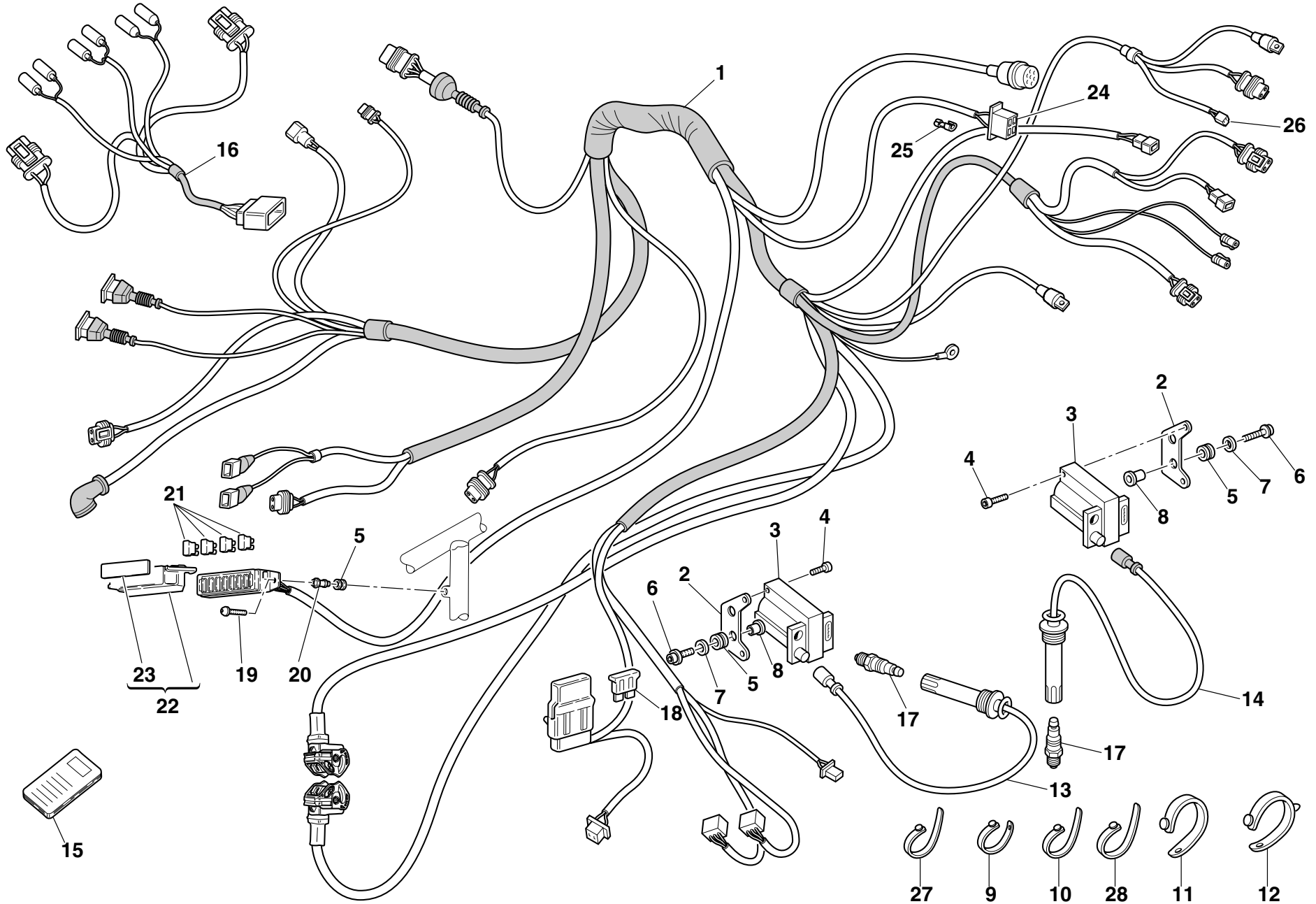


DRAWING **018a** **BATTERY BOX MOUNT**


NOTES	NO.	CODE NO.	DESCRIPTION	VALIDITY	Q.TY	
	1	829.1.282.1A	Battery box mount		1	
	2	827.1.195.1A	Plate		1	
	3	772.5.025.1A	Screw		1	
	4	829.1.190.1B	Rubber holder		1	
	5	541.4.003.1A	Relay		2	
	6	538.4.006.1A	Flashing device		1	
	7	395.4.013.1B	Battery		1	
	8	540.4.011.1C	Regulator		1	
	9	7150.21.651	Screw		2	
	10	729906FN1	Nut		2	
	11	462.4.037.6A	Spring washer		2	
	12	417.9.050.6A	Nut		2	
	13	514.1.030.1B	Solenoid starter-starter motor cable		1	
	14	514.1.029.1B	Battery-solenoid starter cable		1	
	15	397.4.002.1A	Remote switch		1	
	16	764.1.084.1A	Vibration damper pad		2	
	17	8000.62726	Screw		1	
	18	827.1.230.1A	Panel		1	
	19	829.1.285.1B	Battery carpet		1	
	20	850.4.041.1A	Quik fastening		1	
	21	672.1.029.1A	Rubber cap		1	

NOTES	NO.	CODE NO.	DESCRIPTION	VALIDITY	Q.TY	
-------	-----	----------	-------------	----------	------	---


DRAWING **018b** INJECTION SYSTEM



DRAWING **018b** INJECTION SYSTEM

NOTES	NO.	CODE NO.	DESCRIPTION	VALIDITY	Q.TY	
	1	510.1.209.1A	Wiring		1	
	2	829.1.096.1A	Holder		2	
	3	285.4.003.1A	Coil		2	
	4	771.5.025.2B	Screw		4	
	5	764.1.084.1A	Vibration damper pad		6	
	6	772.5.024.1A	Screw		4	
	7	8000.56359	Washer		2	
	8	0000.44099	Spacer		2	
	9	741.1.010.1A	Hose guide		2	
	10	741.1.012.1A	Hose guide		7	
	11	741.4.038.1A	Hose guide		4	
	12	8000.53724	Hose guide		2	
	13	671.1.018.1A	Head spark plug wiring		1	
	14	671.1.019.1A	Head spark plug wiring		1	
	15	433.1.179.1A	Plate "NON RIMUOVERE"		1	
	16	510.1.165.1A	Wiring		1	
	17	670.4.016.1B	Spark plug		2	
	18	389.4.014.1A	Fuse 40A		1	
	19	779.1.088.1A	Screw		2	
	20	821.1.054.1A	Pin		2	
	21	389.4.006.1A	Fuse 3A		1	
	21	389.4.007.1A	Fuse 7.5A		3	
	21	389.4.008.1A	Fuse 15A		1	
	21	389.4.010.1A	Fuse 30A		1	
	21	389.4.013.1A	Fuse 20A		1	
	21	389.4.016.1A	Fuse 10A		1	
	22	246.1.068.1A	Case cover		1	

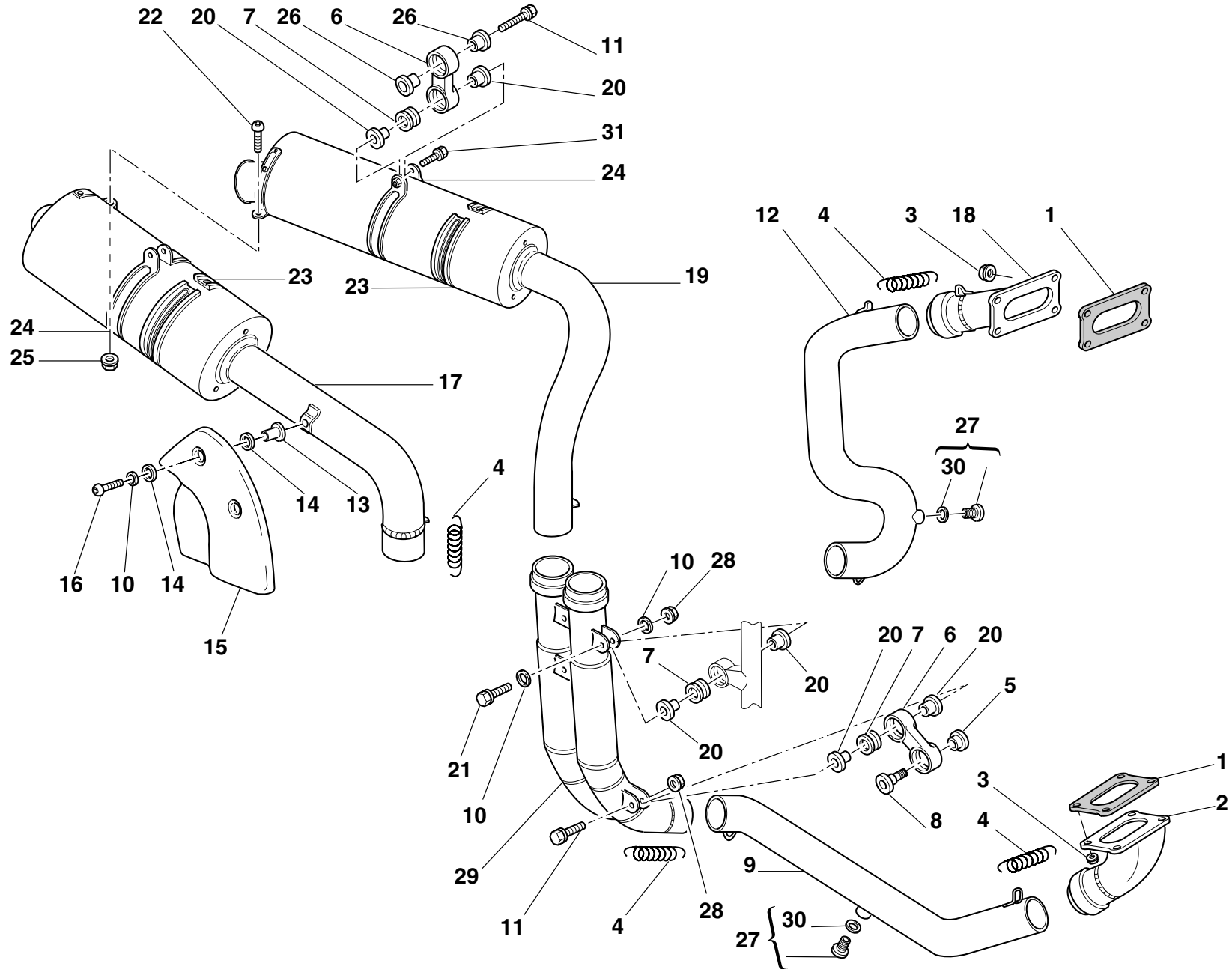
CATALOGUE No: 915.1.211.2A  
ISSUED: 12 - 04

NOTES	NO.	CODE NO.	DESCRIPTION	VALIDITY	Q.TY	
	23	433.1.272.1A	Sticker "schema fusibili"		1	
	24	8000.66526	Connector		1	
	25	0000.66527	End section		4	
	26	0000.56803	Connector		1	
	27	0691.91.030	Hose guide		5	
	28	741.1.013.1A	Hose guide		12	

CATALOGUE No: 915.1.211.2A  
ISSUED: 12 - 04


DRAWING 019

EXHAUST SYSTEM






DRAWING **019** EXHAUST SYSTEM

NOTES	NO.	CODE NO.	DESCRIPTION	VALIDITY	Q.TY	
	1	790.1.004.1A	Exhaust gasket		2	
	2	160.1.095.1A	Exhaust manifold		1	
	3	748.1.024.1A	Nut		8	
	4	799.1.048.1A	Exhaust spring (long)		6	
	5	710.1.027.1A	Spacer		1	
	6	80A0.62649	Holder		2	
	7	764.1.024.1A	Vibration damper pad		4	
	8	779.1.085.1A	Screw		1	
	9	571.1.069.1A	Horizontal head exhaust pipe		1	
	10	8000.56359	Washer		4	
	11	0000.62729	Screw		3	
	12	570.1.069.1A	Vertical head exhaust pipe		1	
	13	0000.44099	Spacer		2	
	14	856.1.023.1A	Washer		4	
	15	460.1.111.1A	Protection		1	
	16	775.1.038.1A	Screw		2	
	17	573.1.069.1A	R.H. silencer		1	
	18	160.1.096.1A	Exhaust manifold		1	
	19	574.1.069.1A	L.H. silencer		1	
	20	713.1.082.1A	Spacer		8	
	21	0000.62730	Screw		1	
	22	779.1.009.1A	Screw		1	
	23	788.1.048.1B	Gasket		2	
	24	576.1.036.1A	Hose guide		2	
	25	8000.56443	Nut		1	
	26	716.1.029.2A	Spacer		4	
	27	780.1.007.1A	Cap		2	

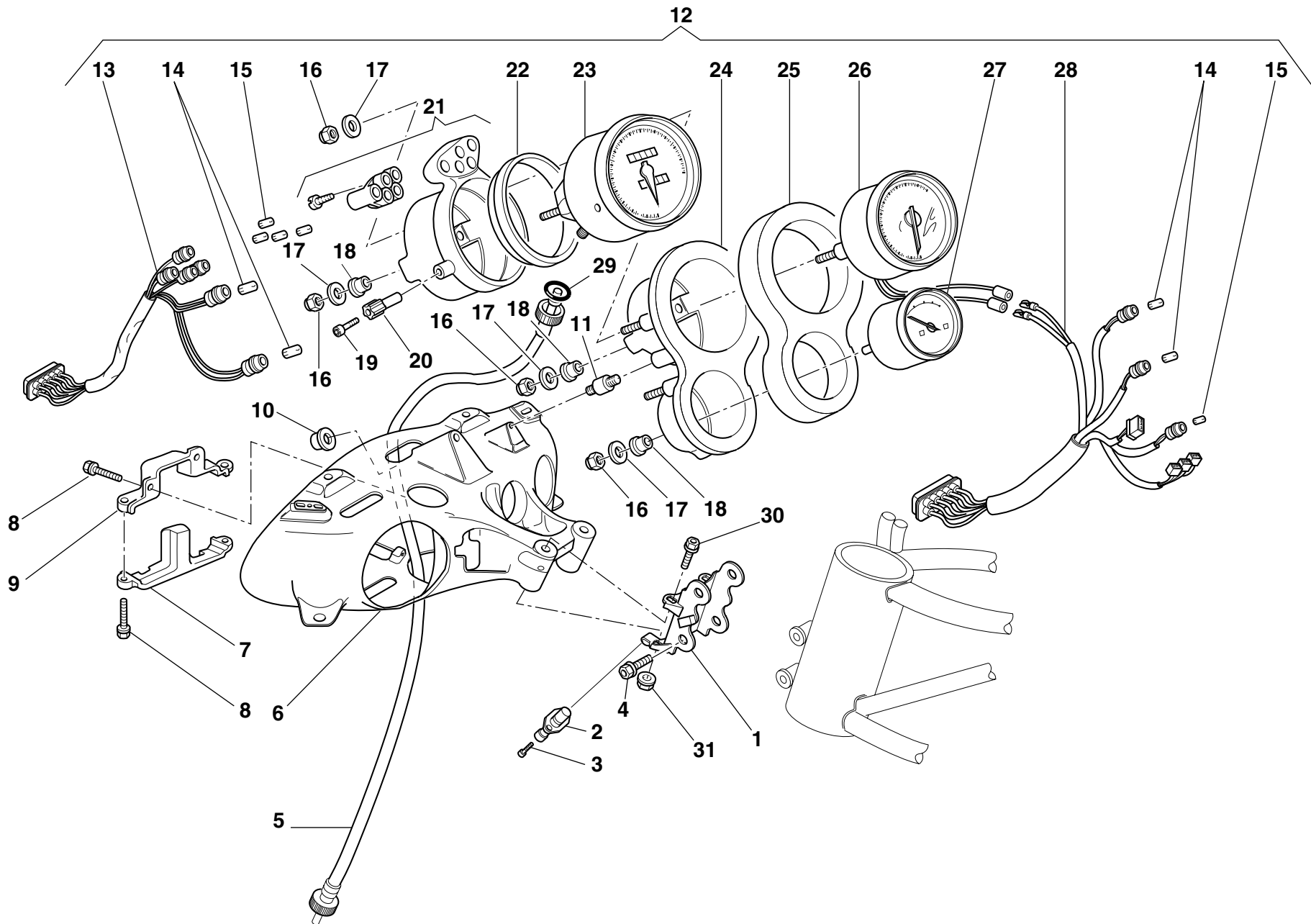
CATALOGUE No: 915.1.211.2A  
ISSUED: 12 - 04

NOTES	NO.	CODE NO.	DESCRIPTION	VALIDITY	Q.TY	
	28	729906FN1	Nut		2	
	29	570.1.070.1A	Exhaust pipe		1	
	30	420.2.001.0A	Gasket th.1		2	
	31	772.5.023.1A	Screw		2	

CATALOGUE No: 915.1.211.2A  
ISSUED: 12 - 04

DRAWING 020


INSTRUMENT PANEL



DRAWING **020** INSTRUMENT PANEL

NOTES	NO.	CODE NO.	DESCRIPTION	VALIDITY	Q.TY	
	1	829.1.364.1A	Front connection		1	
	2	552.4.031.1A	Sensor		1	
	3	771.5.019.2B	Screw		2	
	4	8B00.67545	Screw		2	
	5	403.1.013.1A	Speedometer transmission		1	
	6	829.1.112.1BC	Headlight holder		1	
	7	829.1.118.1A	Holder		1	
	8	771.5.639.2B	Screw		4	
	9	829.1.117.1A	Holder		1	
	10	748.1.035.1A	Nut		3	
	11	8000.56752	Rubber pad		3	
	12	400.2.015.1B	Complete instrument panel (speedometer - miles)		1	
	13	510.1.061.1A	Wiring		1	
	14	0000.56750	Warning lamp bulb12V-2.1W		4	
	15	8000.20602	Warning lamp bulb12V-1.2W		6	
	16	8000.56748	Nut		7	
	17	8000.56747	Washer		7	
	18	408.1.010.1A	Rubber pad		5	
	19	776.4.002.1A	Screw		1	
	20	8000.56742	Grip		1	
	21	407.4.001.1B	Speedometer holder		1	
	22	8000.56741	Gasket		1	
	23	401.4.028.1A	Speedometer		1	
	24	0000.78348	Tachometer holder		1	
	25	8000.77936	Vibration damper sponge		1	
	26	402.4.012.1A	Tachometer		1	
	27	404.4.006.1A	Water thermometer (°C)		1	

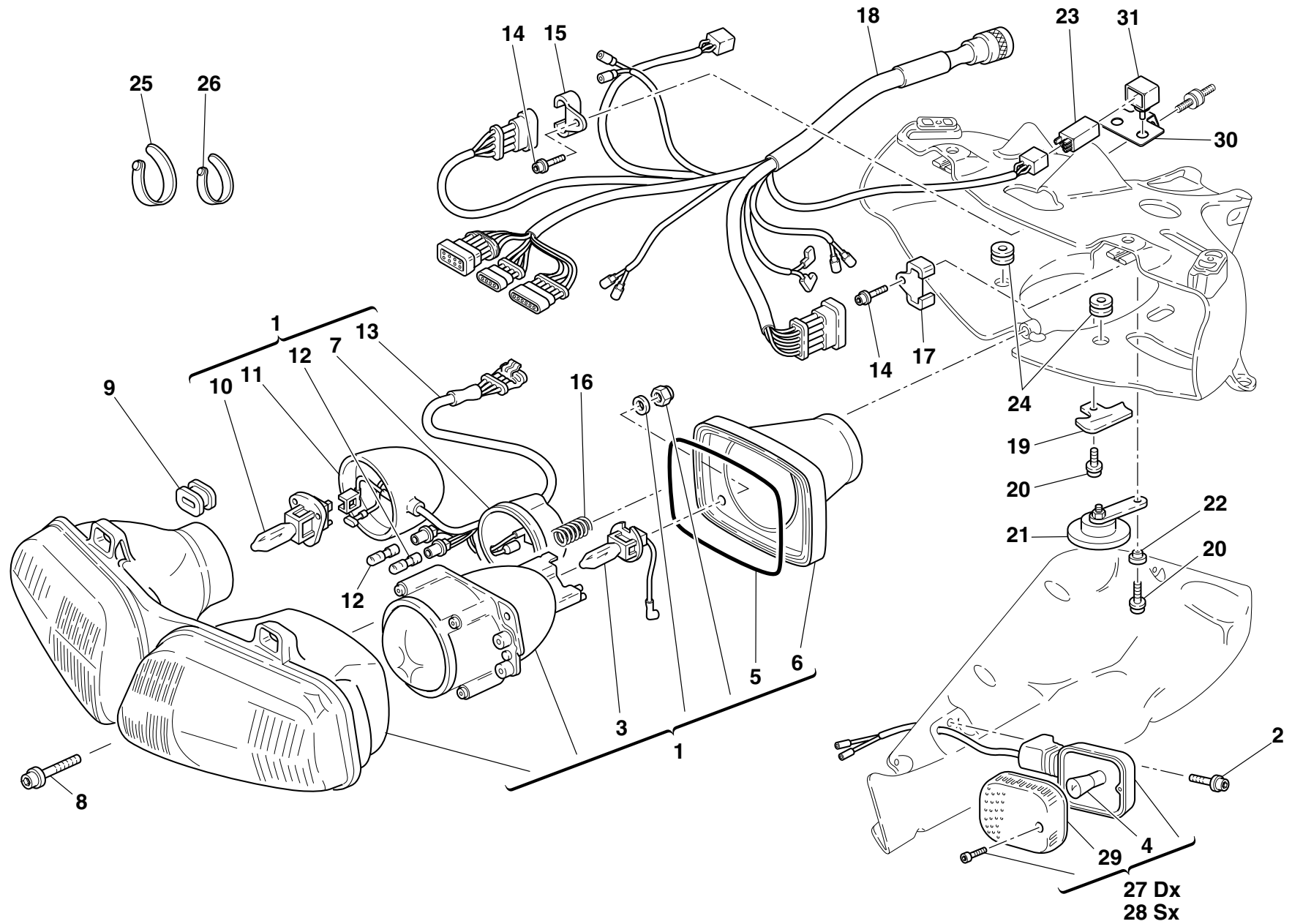
CATALOGUE No: 915.1.211.2A  
ISSUED: 12 - 04

NOTES	NO.	CODE NO.	DESCRIPTION	VALIDITY	Q.TY	
	28	510.1.070.1A	Instrument panel wiring		1	
	29	886.4.043.1A	O-ring		1	
	30	772.5.021.1A	Screw		2	
	31	0000.44240	Nut		2	


CATALOGUE No: 915.1.211.2A  
ISSUED: 12 - 04

DRAWING 021


FRONT HEAD-LIGHT



DRAWING **021** FRONT HEAD-LIGHT

NOTES	NO.	CODE NO.	DESCRIPTION	VALIDITY	Q.TY	
	1	520.4.032.1A	Complete headlight		1	
	2	771.5.667.2B	Screw		2	
	3	0000.79673	Bulb		1	
	4	8000.36726	Bulb		2	
	5	521.4.010.1A	Cover gasket		1	
	6	521.4.007.1A	Cover		1	
	7	521.4.008.1A	Headlight cover		1	
	8	771.5.072.2B	Screw		1	
	9	700.1.020.1A	Vibration damper		2	
	10	0000.79672	Bulb		1	
	11	521.4.009.1A	Headlight cover		1	
	12	8000.36230	Bulb		1	
	13	510.1.082.1A	Electric wiring		1	
	14	771.5.639.2B	Screw		2	
	15	827.1.089.1A	R.H. plate		1	
	16	799.1.064.1A	Spring		1	
	17	827.1.090.1A	L.H. plate		1	
	18	510.1.163.1A	Front wiring		1	
	19	827.1.095.1A	Plate		1	
	20	772.5.025.1A	Screw		2	
	21	516.4.001.1AB	Horn (BLACK)		1	
	22	716.1.028.1A	Spacer		1	
	23	541.4.003.1A	Relay		2	
	24	764.1.084.1A	Vibration damper pad		2	
	25	741.1.012.1A	Hose guide		1	
	26	8000.53724	Hose guide		2	
	27	8000.74504	Turn indicator		1	

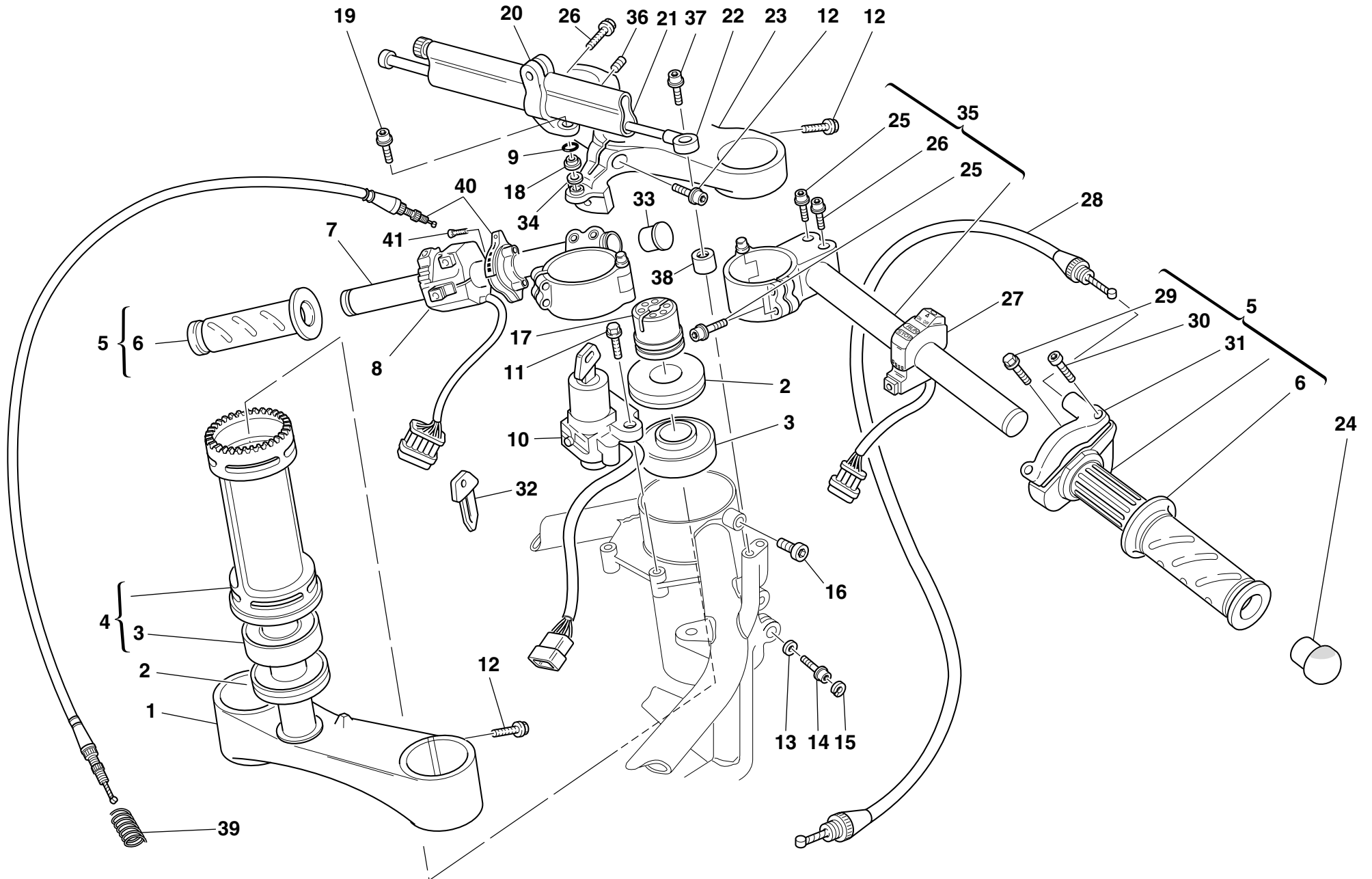
CATALOGUE No: 915.1.211.2A  
ISSUED: 12 - 04

NOTES	NO.	CODE NO.	DESCRIPTION	VALIDITY	Q.TY	
	28	8000.74505	Turn indicator		1	
	29	532.4.001.1A	Cup		2	
	30	827.1.181.1A	Plate		1	
	31	829.1.190.1A	Rubber holder		1	

CATALOGUE No: 915.1.211.2A  
ISSUED: 12 - 04

DRAWING 022

HALF-HANDLEBARS - SHOCK-ADSORBER




DRAWING

**022****HALF-HANDLEBARS - SHOCK-ADSORBER**

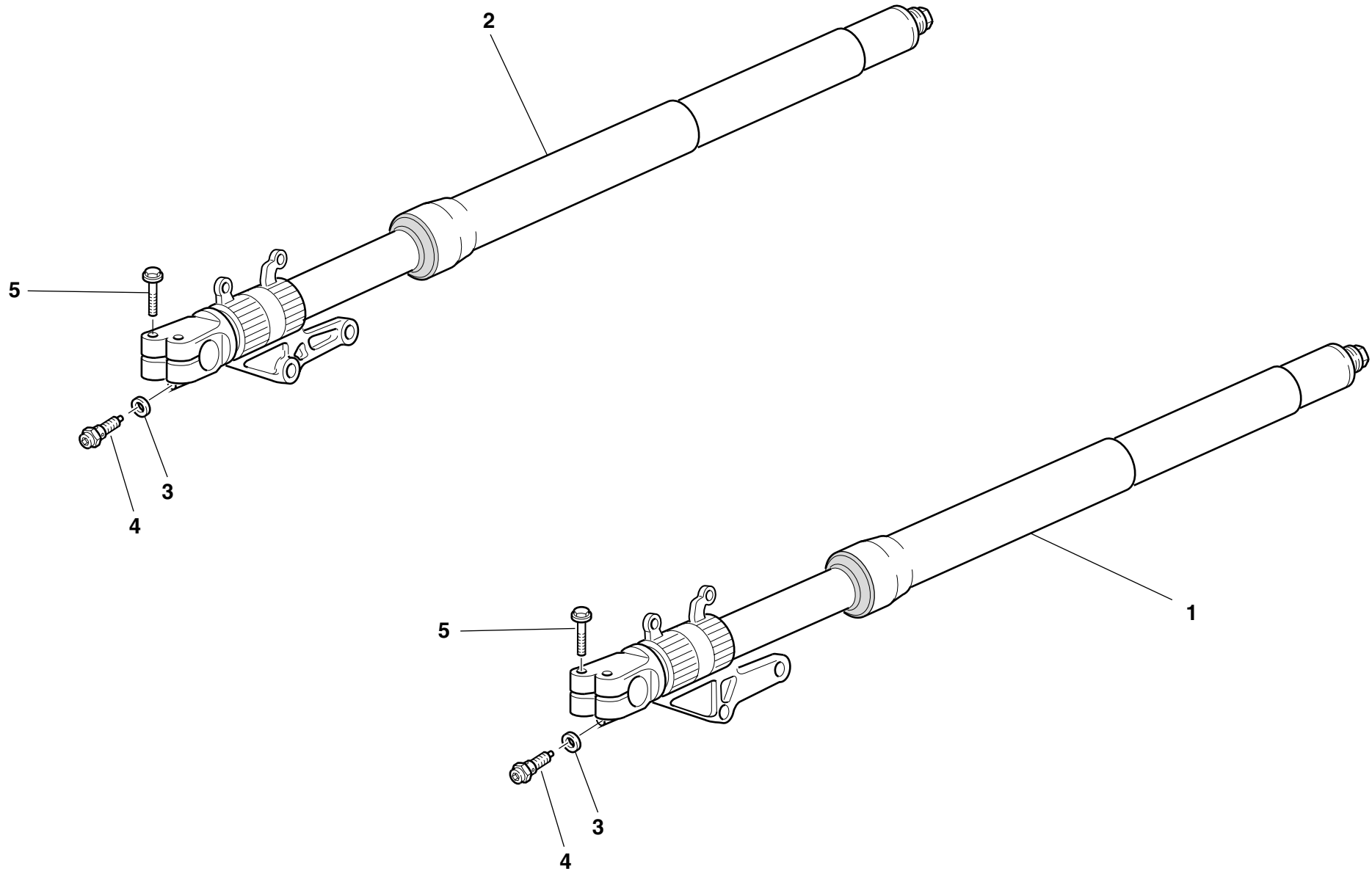
NOTES	NO.	CODE NO.	DESCRIPTION	VALIDITY	Q.TY	
	1	342.2.027.2A	Steering head base assembly		1	
	2	930.1.004.1A	Seal ring		2	
	3	702.4.004.1A	Bearing		2	
	4	343.2.005.1A	Tube		1	
	5	654.2.003.1A	Throttle control		1	
	6	8000.78345	Grips pair		1	
	7	360.2.030.1A	L.H. handlebar		1	
	8	651.4.008.1A	L.H. switch		1	
	9	886.5.014.1A	O-ring		1	
	10	652.4.004.3A	Key-operated switch		1	
	11	772.5.024.1A	Screw		2	
	12	771.5.725.2B	Screw		7	
	13	852.1.071.1A	Washer		2	
	14	771.5.723.2B	Screw		2	
	15	884.5.001.1A	Circlip		2	
	16	779.1.060.1A	Special screw		1	
	17	703.1.013.1A	Ring nut		1	
	18	713.1.153.1A	Spacer		1	
	19	771.5.664.2B	Screw		1	
	20	808.2.016.2A	Clamp		1	
	21	364.1.003.1A	Steering damper		1	
	22	848.4.005.1A	Ball joint		1	
	23	341.1.011.2A	Steering head		1	
	24	872.1.015.1A	Cap		2	
	25	771.5.669.2B	Screw		6	
	26	771.5.667.2B	Screw		3	
	27	650.4.006.2A	R.H. switch		1	

CATALOGUE No:  
ISSUED:915.1.211.2A  
12 - 04

NOTES	NO.	CODE NO.	DESCRIPTION	VALIDITY	Q.TY	
	28	656.1.035.1A	Throttle control transmission		1	
	29	772.5.023.1A	Screw		2	
	30	8000.66774	Screw		2	
	31	658.4.002.1B	Cover		1	
	32	598.4.011.3A	Wrench		1	
	33	872.1.015.1A	Cap		2	
	34	734406N01	Washer		1	
	35	360.2.031.1A	R.H. handlebar		1	
	36	778.5.009.1A	Threaded dowel		1	
	37	771.5.066.2B	Screw		1	
	38	713.1.132.1A	Spacer		1	
	39	799.1.058.1A	Starter control transmission return spring		1	
	40	655.2.009.1A	Starter control		1	
	41	777.5.210.2A	Screw		2	


CATALOGUE No:  
ISSUED:915.1.211.2A  
12 - 04


DRAWING **022a** FRONT FORK



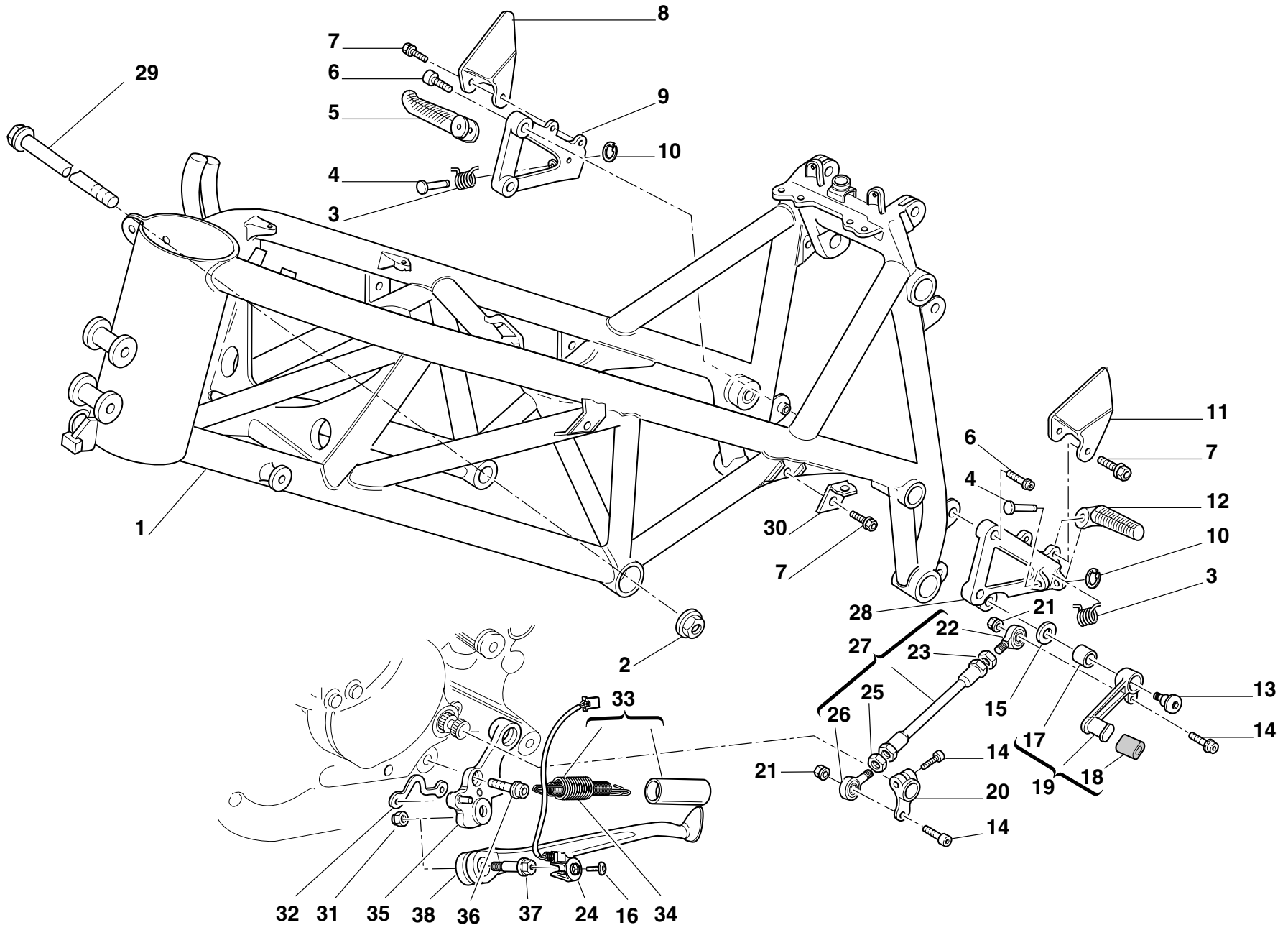


DRAWING **022a** FRONT FORK

NOTES	NO.	CODE NO.	DESCRIPTION	VALIDITY	Q.TY	
	1	340.2.128.2A	L.H. fork leg assembly		1	
	2	340.2.129.2A	L.H. fork leg assembly		1	
	3	349.1.096.1A	Special washer		2	
	4	349.2.010.1A	Adjusting screw		2	
	5	8A00.69056	Screw		4	

NOTES	NO.	CODE NO.	DESCRIPTION	VALIDITY	Q.TY	
-------	-----	----------	-------------	----------	------	---


DRAWING **023** FRAME



DRAWING **023** FRAME

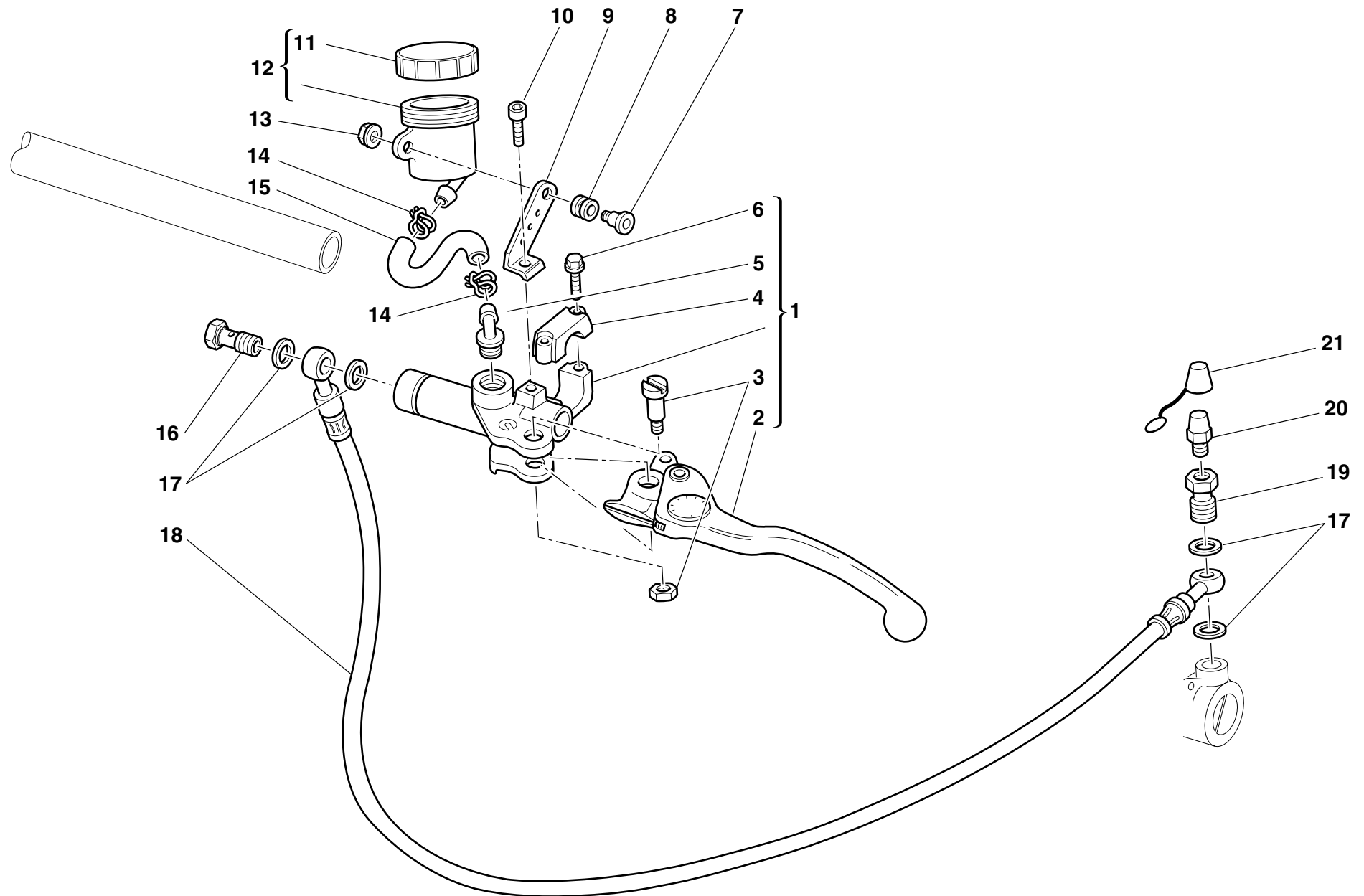
NOTES	NO.	CODE NO.	DESCRIPTION	VALIDITY	Q.TY	
	1	470.1.061.1AA	Frame		1	
	2	750.1.054.1A	Nut		2	
	3	799.1.045.1A	Spring		2	
	4	821.1.051.1A	Pin		2	
	5	464.1.006.1A	Front R.H. foot peg		1	
	6	771.5.723.2B	Screw		4	
	7	772.5.025.1A	Screw		8	
	8	247.1.074.1A	Protection		1	
	9	824.1.016.1A	R.H. foot peg holder plate		1	
	10	884.5.003.1A	Ring		2	
	11	247.1.073.1A	Protection		1	
	12	464.1.005.1A	Front L.H. foot peg		1	
	13	821.1.170.1A	Pin		1	
	14	771.5.667.2B	Screw		3	
	15	852.1.053.1A	Washer		1	
	16	779.4.005.2A	Screw		1	
	17	0000.59056	Bush		1	
	18	764.1.011.1A	Rubber pad		1	
	19	456.2.007.1A	Gearchange lever		1	
	20	456.1.006.2A	Gearchange control lever		1	
	21	763106N01	El-stop nut		2	
	22	848.5.001.1A	Ball joint		1	
	23	747.5.001.1A	L.H. nut		1	
	24	539.1.023.2A	Switch		1	
	25	60N115062	Nut		1	
	26	848.5.002.1A	Ball joint		1	
	27	117.2.030.1A	Gearbox transmission rod assembly		1	

CATALOGUE No: 915.1.211.2A  
ISSUED: 12 - 04


NOTES	NO.	CODE NO.	DESCRIPTION	VALIDITY	Q.TY	
	28	824.1.015.1A	L.H. foot peg holder plate		1	
	29	779.1.213.1A	Screw		2	
	30	827.1.067.1A	Plate		4	
	31	750.1.048.1A	Nut		1	
	32	829.1.260.2A	Plate		1	
	33	799.2.001.1A	Complete spring		1	
	34	8000.62676	Inner spring		1	
	35	556.2.025.1A	Plate		1	
	36	771.5.754.2B	Screw		2	
	37	821.1.103.1A	Pin		1	
	38	556.1.013.2A	Side stand		1	


CATALOGUE No: 915.1.211.2A  
ISSUED: 12 - 04

DRAWING **024** CLUTCH CONTROL




DRAWING **024** CLUTCH CONTROL


NOTES	NO.	CODE NO.	DESCRIPTION	VALIDITY	Q.TY	
	1	630.4.010.1AB	Clutch drive pump		1	
	2	631.4.009.1A	Lever with dowel		1	
	3	626.4.011.1A	Spare lever pin		1	
	4	626.4.010.1A	Spare bracket		1	
	5	631.4.008.1A	Spare union		1	
	6	771.5.669.2B	Screw		2	
	7	779.1.092.1A	Screw		1	
	8	0370.72.020	Vibration damper pad		1	
	9	829.1.228.1A	Plate		1	
	10	70700.6N02	Screw		1	
	11	893.4.005.1A	Cap		1	
	12	0000.61078	Complete oil tank		1	
	13	8000.56443	Nut		1	
	14	741.4.043.1A	Hose guide		2	
	15	877.1.037.1A	Tube		1	
	16	779.1.058.1A	Special screw		1	
	17	420.2.001.0A	Gasket th.1		4	
	18	632.1.018.2A	Clutch control pipe (METAL PLAITED)		1	
	19	779.1.082.1A	Union		1	
	20	0000.33552	Bleed		1	
	21	612.4.005.1A	Dust seal		1	

NOTES	NO.	CODE NO.	DESCRIPTION	VALIDITY	Q.TY	
-------	-----	----------	-------------	----------	------	---



DRAWING **025** FRONT HYDRAULIC BRAKE

NOTES	NO.	CODE NO.	DESCRIPTION	VALIDITY	Q.TY	
	1	624.4.016.1B	Front brake pump		1	
	2	626.4.007.1A	Lever with dowel		1	
	3	626.4.011.1A	Spare lever pin		1	
	4	612.4.022.1A	Spare pins and spring		2	
	5	539.4.021.1A	Microswitch		1	
	6	771.5.431.2B	Screw		4	
	7	610.4.025.1A	R.H. brake caliper		1	
	8	420.2.001.0A	Gasket th.1		6	
	9	612.4.020.1A	Spare bleed union		2	
	10	8000.56443	Nut		1	
	11	779.1.058.2A	Special screw		3	
	12	612.4.005.1A	Dust seal		1	
	13	877.1.067.1A	Tube		1	
	14	8000.68490	Spare cap		1	
	15	0000.66181	Complete oil tank		1	
	16	741.4.043.1A	Hose guide		2	
	17	779.1.092.1A	Screw		1	
	18	0370.72.020	Vibration damper pad		1	
	19	70700.6N02	Screw		1	
	20	626.4.008.1A	Spare bracket		1	
	21	631.4.008.1A	Spare union		1	
	22	829.1.238.1A	Bracket		1	
	23	618.4.038.1A	Caliper pump pipe		1	
	24	771.5.669.2B	Screw		2	
	25	613.4.030.1A	Set of 4 pads		2	
	26	610.4.026.1A	L.H. brake caliper		1	

NOTES	NO.	CODE NO.	DESCRIPTION	VALIDITY	Q.TY	
-------	-----	----------	-------------	----------	------	---

CATALOGUE No: 915.1.211.2A  
ISSUED: 12 - 04

CATALOGUE No: 915.1.211.2A  
ISSUED: 12 - 04






DRAWING **026** REAR HYDRAULIC BRAKE

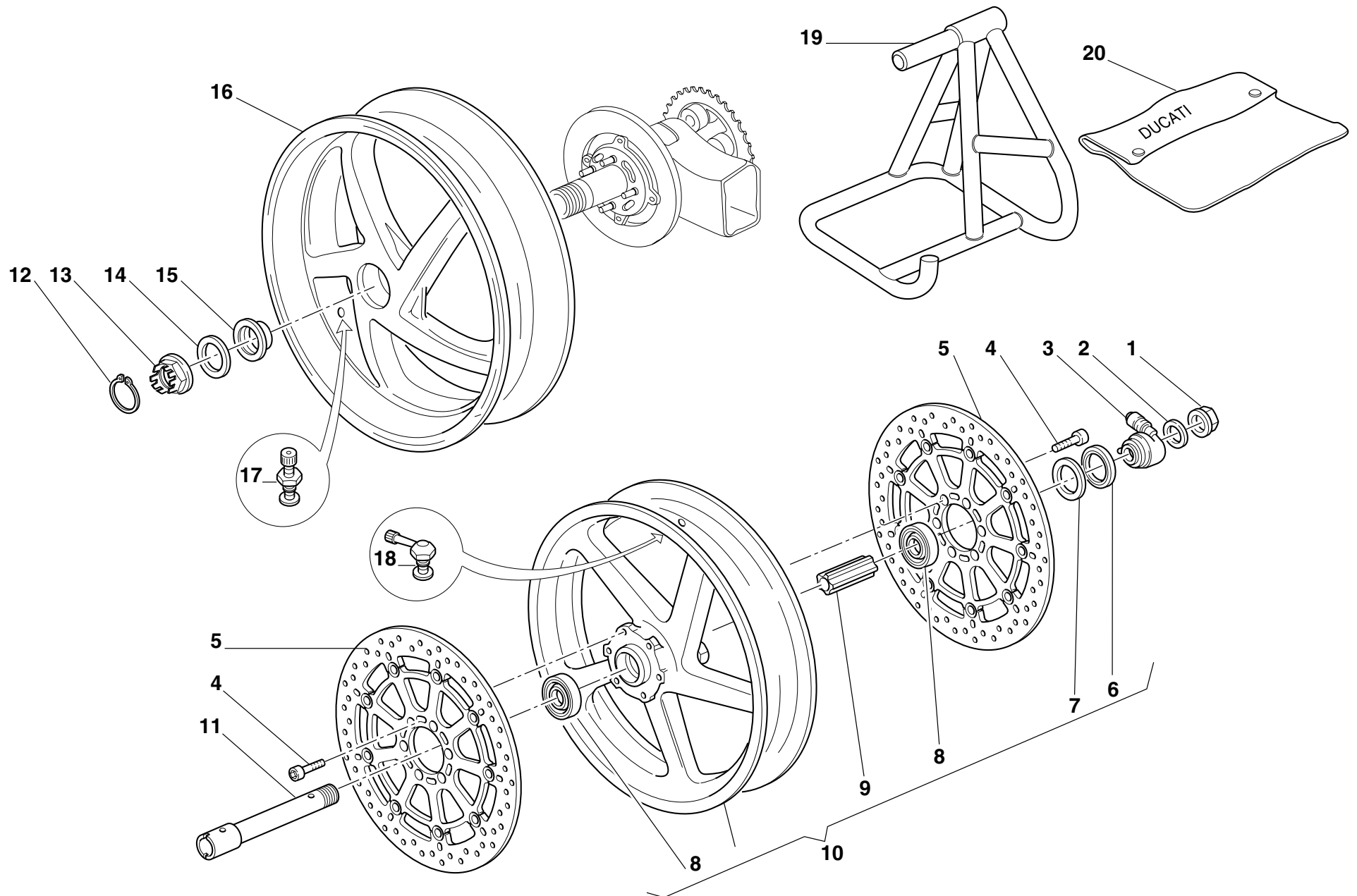
NOTES	NO.	CODE NO.	DESCRIPTION	VALIDITY	Q.TY	
	1	829.1.078.1A	Holder		1	
	2	771.5.754.2B	Screw		1	
	3	852.1.054.1A	Washer		1	
	4	73500.0624	Circlip		1	
	5	0000.59056	Bush		1	
	6	457.2.008.1A	Brake control lever		1	
	7	60N115062	Nut		2	
	8	8000.67981	Threaded dowel		1	
	9	821.1.052.1A	Pedal pin		1	
	10	764.1.011.2A	Rubber pad		1	
	11	772.5.024.1A	Screw		2	
	12	625.4.006.1A	Rear brake pump		1	
	13	821.1.096.1A	Pin		1	
	14	184.1.001.1A	Fork		1	
	15	117.1.025.2A	Adjuster rod		1	
	16	741.4.043.1A	Hose guide		2	
	17	877.1.039.1A	Tube		1	
	18	0000.61078	Complete oil tank		1	
	19	893.4.005.1A	Cap		1	
	20	70700.6N02	Screw		1	
	21	539.4.003.1B	Switch		1	
	22	779.1.058.2A	Special screw		2	
	23	420.2.001.0A	Gasket th.1		4	
	24	631.4.008.1A	Spare union		1	
	25	626.4.013.1A	Dust cover		1	
	26	613.4.008.1A	Pads pair		1	
	27	619.4.001.2C	Rear brake line (METAL PLAITED)		1	

CATALOGUE No: 915.1.211.2A  
ISSUED: 12 - 04


NOTES	NO.	CODE NO.	DESCRIPTION	VALIDITY	Q.TY	
	28	0000.69056	Screw		2	
	29	611.4.005.2A	Rear brake caliper		1	
	30	612.4.008.1A	Dust seal		1	
	31	0000.39727	Spare bleed union		1	
	32	612.4.013.1A	Spare pins and spring		1	
	33	799.1.083.1B	Spring		1	


CATALOGUE No: 915.1.211.2A  
ISSUED: 12 - 04

DRAWING **027** FRONT AND REAR WHEELS



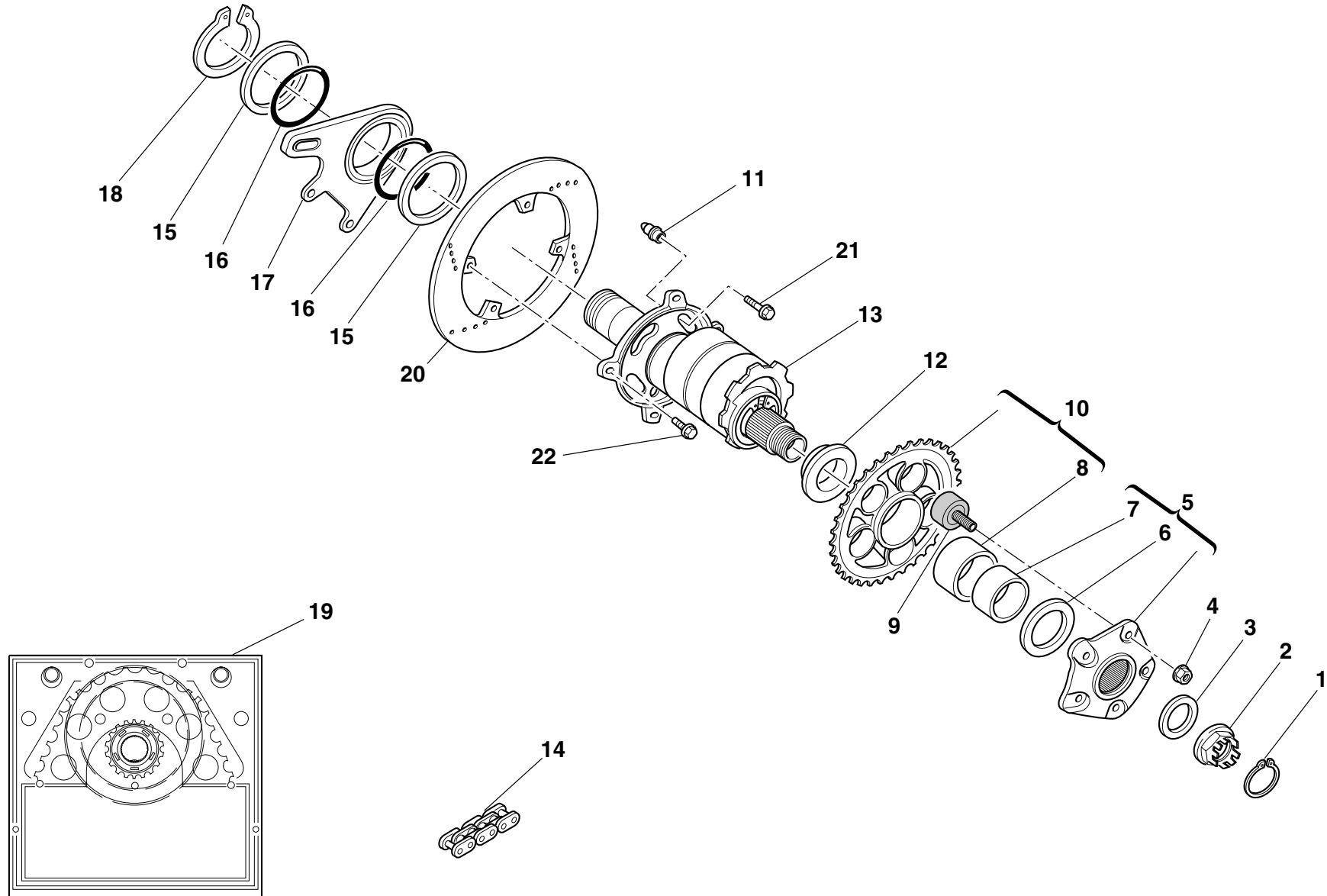
DRAWING **027** FRONT AND REAR WHEELS

NOTES	NO.	CODE NO.	DESCRIPTION	VALIDITY	Q.TY	
	1	748.1.014.1A	Nut		1	
	2	8000.70119	Washer		1	
	3	498.1.009.1A	Speedometer transmission		1	
	4	771.1.020.1A	Screw		12	
	5	492.4.026.1A	Brake disc		2	
	6	0000.64471	Seal ring		1	
	7	0000.62648	Relay drive ring		1	
	8	75162.2566	Bearing		2	
	9	714.1.028.1A	Inner spacer		1	
	10	501.2.105.1AA	Front wheel rim		1	
	11	819.1.017.1A	Front wheel spindle		1	
	12	759.1.009.1A	Clip		1	
	13	750.1.019.1A	Nut		1	
	14	852.1.057.1A	Washer		1	
	15	714.1.027.1A	Washer		1	
	16	502.2.107.1AA	Rear wheel rim		1	
	17	0803.77.010	Valve		1	
	18	497.2.001.2A	Valve		1	
	19	699.2.064.1A	Stand		1	
	20	919.1.001.2A	Motrocycle's canvas cover (RED)		1	


NOTES	NO.	CODE NO.	DESCRIPTION	VALIDITY	Q.TY	
-------	-----	----------	-------------	----------	------	---


DRAWING 028

REAR WHEEL PIN




DRAWING **028** REAR WHEEL PIN

NOTES	NO.	CODE NO.	DESCRIPTION	VALIDITY	Q.TY	
	1	759.1.008.1A	Clip		1	
	2	750.1.018.1A	L.H. nut		1	
	3	852.1.055.1A	Washer		1	
	4	748.4.024.1AB	Nut		5	
	5	160.1.021.1C	Rear sprocket flange		1	
	6	852.1.058.2A	Washer		1	
	7	711.1.067.1A	Bush		1	
	8	712.1.018.1A	Bush		1	
	9	700.1.017.1E	Rubber cush drive hub		5	
	10	494.2.043.1A	Ring gear z=36		1	
	11	863.1.001.1D	Pin		4	
	12	714.1.041.1A	Spacer		1	
	13	819.2.039.2A	Hub		1	
	14	676.4.021.1A	Chain (94 Links)		1	
	15	852.1.059.1A	Washer		2	
	16	886.5.003.1A	O-Ring		2	
	17	825.1.009.1A	Caliper holder plate		1	
	18	884.5.004.1A	Circlip		1	
	19	676.2.038.1A	Final drive kit		1	
	20	492.4.011.1B	Rear brake disc		1	
	21	772.1.005.1B	Screw		4	
	22	773.5.120.8B	Screw		4	

NOTES	NO.	CODE NO.	DESCRIPTION	VALIDITY	Q.TY	
-------	-----	----------	-------------	----------	------	---

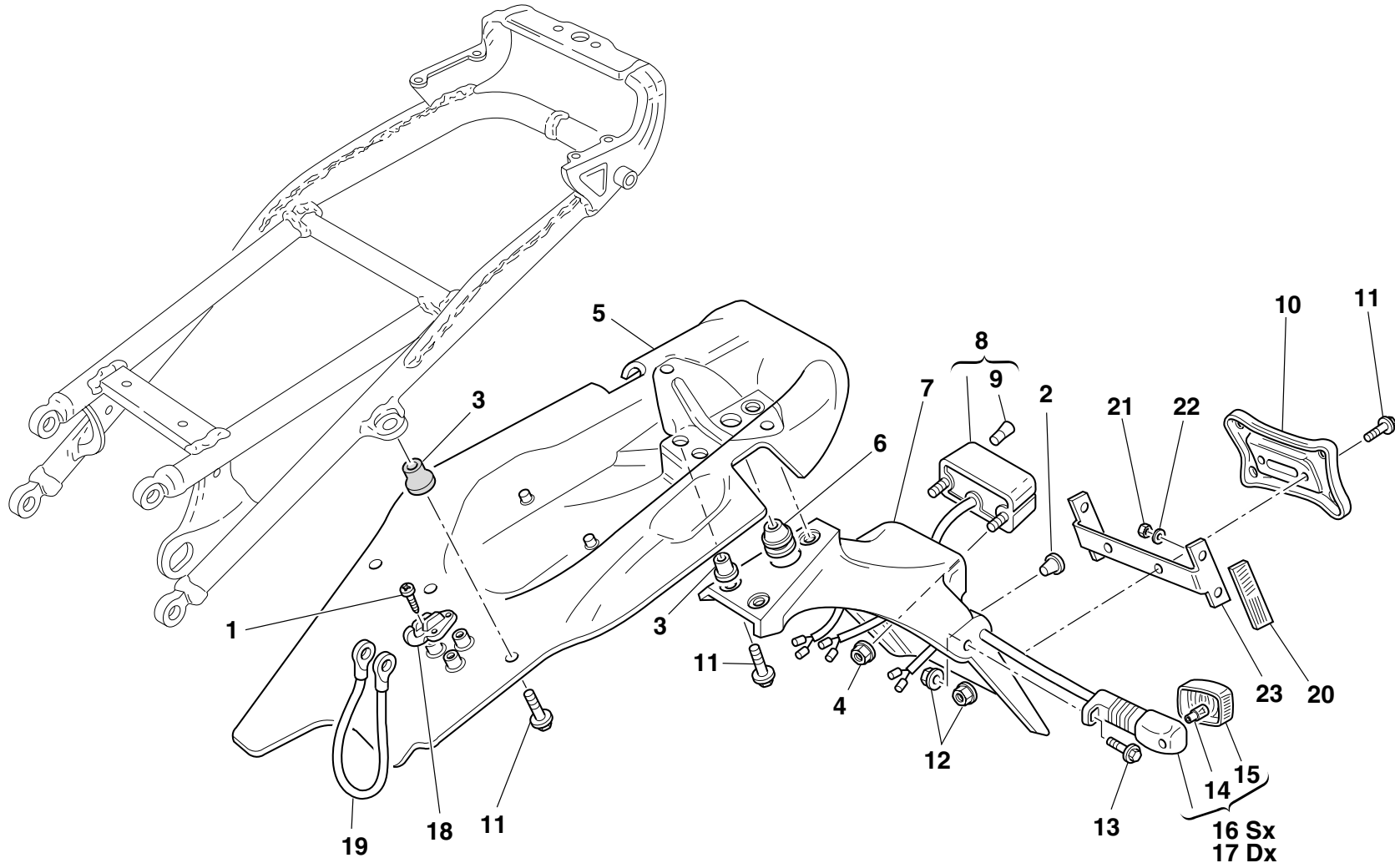


DRAWING **029** REAR FRAME(mon)

NOTES	NO.	CODE NO.	DESCRIPTION	VALIDITY	Q.TY	
	1	471.2.034.1D	Rear frame		1	
	2	8000.56443	Nut		2	
	3	598.2.028.1A	Locks kit		1	
	4	777.5.038.2B	Screw		2	
	5	732.2.002.2A	Lock latch		1	
	6	759.1.010.1A	Rubber		1	
	7	72237.0657	Self-tapping screw		1	
	8	764.4.003.1A	Fairlead		2	
	9	559.1.003.1A	Tool box		1	
	10	913.7.096.1E	Owner's manual		1	
	11	697.2.013.1A	Tool bag		1	
	12	771.5.125.2C	Screw		4	
	13	852.1.071.1A	Washer		8	
	14	8000.53724	Hose guide		1	
	15	747.1.005.1A	Nut		4	
	16	750.1.024.1A	Nut		1	
	17	598.2.023.1A	Seat lock		1	


NOTES	NO.	CODE NO.	DESCRIPTION	VALIDITY	Q.TY	
-------	-----	----------	-------------	----------	------	---


DRAWING **029a** NUMBER PLATE HOLDER





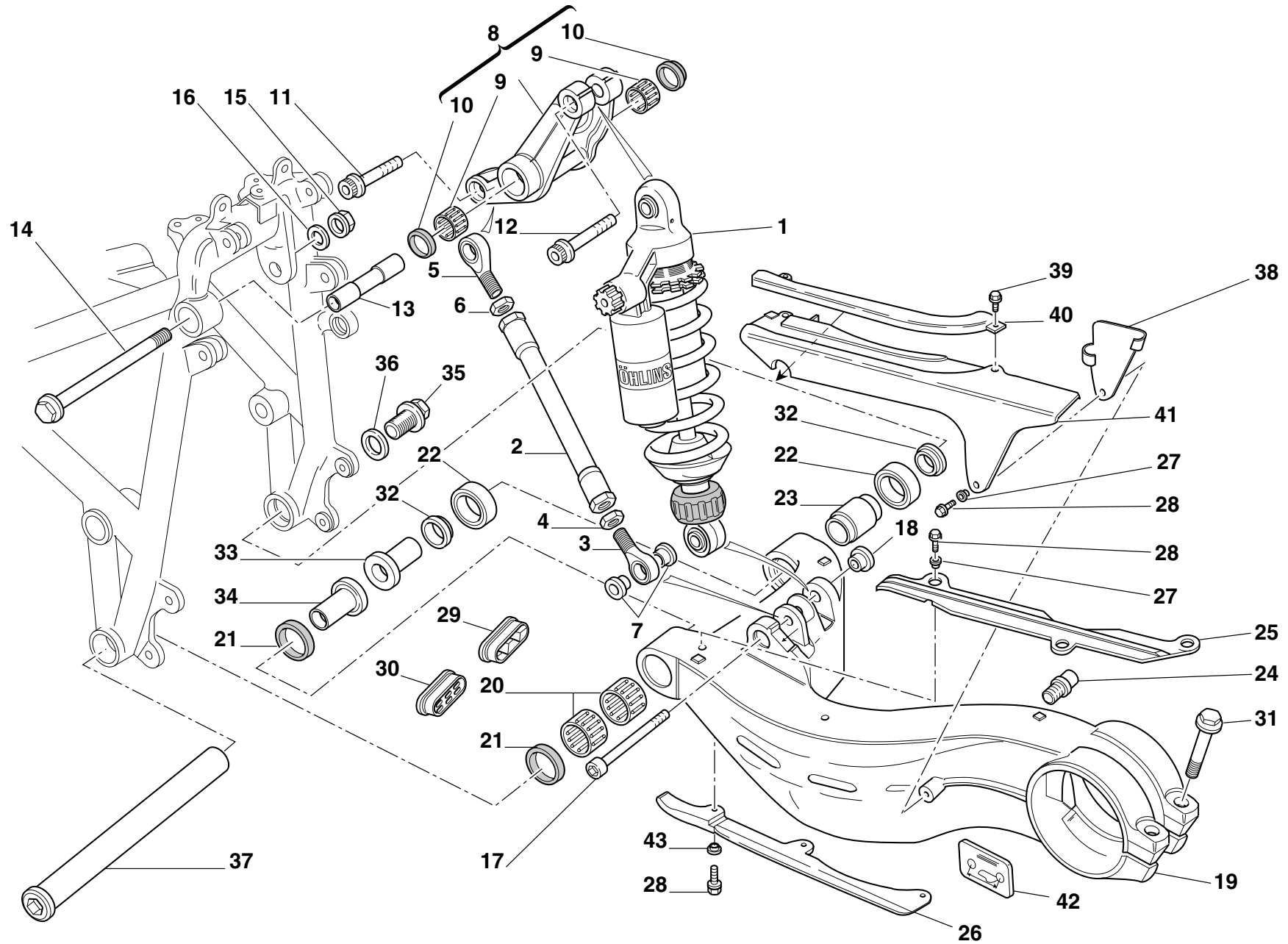
DRAWING **029a** NUMBER PLATE HOLDER

NOTES	NO.	CODE NO.	DESCRIPTION	VALIDITY	Q.TY	
	1	72237.0657	Self-tapping screw		3	
	2	764.1.084.1A	Vibration damper pad		2	
	3	0364.99.020	Bush		7	
	4	8000.56443	Nut		2	
	5	486.1.038.1C	Panel (BLACK)		1	
	6	0000.07051	Fairlead		1	
	7	561.1.010.1A	Number plate holder		1	
	8	525.1.004.2A	Tail lamp		1	
	9	8000.36230	Bulb		1	
	10	561.1.019.1A	Plate		1	
	11	772.5.024.1A	Screw		9	
	12	729906FN1	Nut		4	
	13	771.5.667.2B	Screw		2	
	14	8000.36726	Bulb		2	
	15	532.4.001.1A	Cup		2	
	16	8000.74504	Turn indicator		1	
	17	8000.74505	Turn indicator		1	
	18	760.4.003.1A	Hook		1	
	19	732.1.017.1A	Helmet anti-theft wire		1	
	20	529.1.006.1A	Reflector		2	
	21	749.5.001.1A	Nut		4	
	22	852.5.001.1A	Washer		4	
	23	829.1.136.1A	Holder		1	

NOTES	NO.	CODE NO.	DESCRIPTION	VALIDITY	Q.TY	
-------	-----	----------	-------------	----------	------	---

DRAWING 030


REAR SUSPENSION



DRAWING **030** REAR SUSPENSION

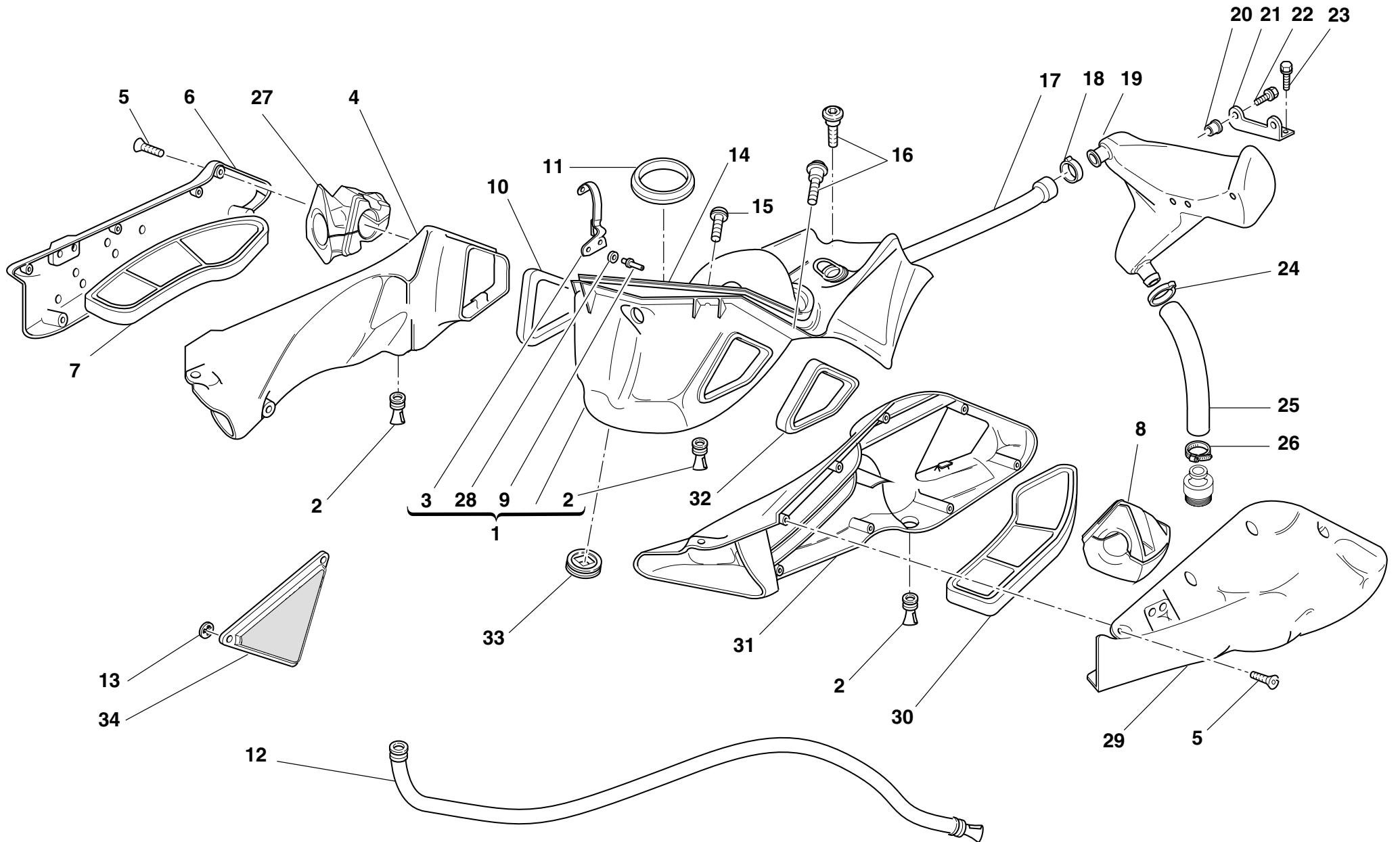
NOTES	NO.	CODE NO.	DESCRIPTION	VALIDITY	Q.TY	
	1	365.2.016.1B	Shock absorber (monoposto)		1	
	2	875.1.022.2A	Tie rod		1	
	3	76401.0009	Ball joint		1	
	4	750.1.022.1A	Nut		1	
	5	76401.0010	Ball joint		1	
	6	750.1.021.1A	Nut		1	
	7	710.1.025.1A	Bush		4	
	8	372.2.004.1A	Rocker assembly		1	
	9	701.4.004.1A	Needle bearing		2	
	10	930.4.011.1A	Seal ring		2	
	11	771.5.937.2B	Screw		1	
	12	771.5.938.2B	Screw		1	
	13	715.1.003.1A	Spacer		1	
	14	772.1.002.1A	Screw		1	
	15	729910FF1	Nut		1	
	16	0023.37.153	Washer		1	
	17	771.1.003.1A	Screw		1	
	18	710.1.026.1A	Bush		1	
	19	370.1.014.1A	Swingarm		1	
	20	701.4.017.1A	Needle bearing		2	
	21	930.5.012.1A	Seal ring		2	
	22	702.5.045.1A	Bearing		2	
	23	713.1.078.1A	Inner spacer		1	
	24	832.1.003.1A	Pin		1	
	25	447.1.019.1A	Upper chain sliding shoer		1	
	26	447.1.020.1A	Lower chain sliding shoe		1	
	27	8000.62653	Spacer		5	

CATALOGUE No: 915.1.211.2A  
ISSUED: 12 - 04

NOTES	NO.	CODE NO.	DESCRIPTION	VALIDITY	Q.TY	
	28	8000.62726	Screw		8	
	29	872.1.016.1A	Cap		1	
	30	872.1.017.1A	Cap		1	
	31	772.1.004.2A	Screw		2	
	32	712.1.019.1A	Outer spacer		2	
	33	710.1.023.1A	Bush		1	
	34	710.1.024.1A	Bush		1	
	35	772.1.003.1A	Screw		1	
	36	852.1.068.1A	Washer		1	
	37	369.1.003.1A	Swingarm pivot		1	
	38	830.1.127.1A	Bracket		1	
	39	772.5.024.1A	Screw		2	
	40	460.1.040.1A	Protection		1	
	41	446.1.002.1A	Chain guard		1	
	42	433.1.167.1A	Chain adjustment sticker		1	
	43	716.1.044.1A	Spacer		3	

CATALOGUE No: 915.1.211.2A  
ISSUED: 12 - 04


DRAWING **031** AIR INDUCTION-OIL VENT



DRAWING **031** AIR INDUCTION-OIL VENT

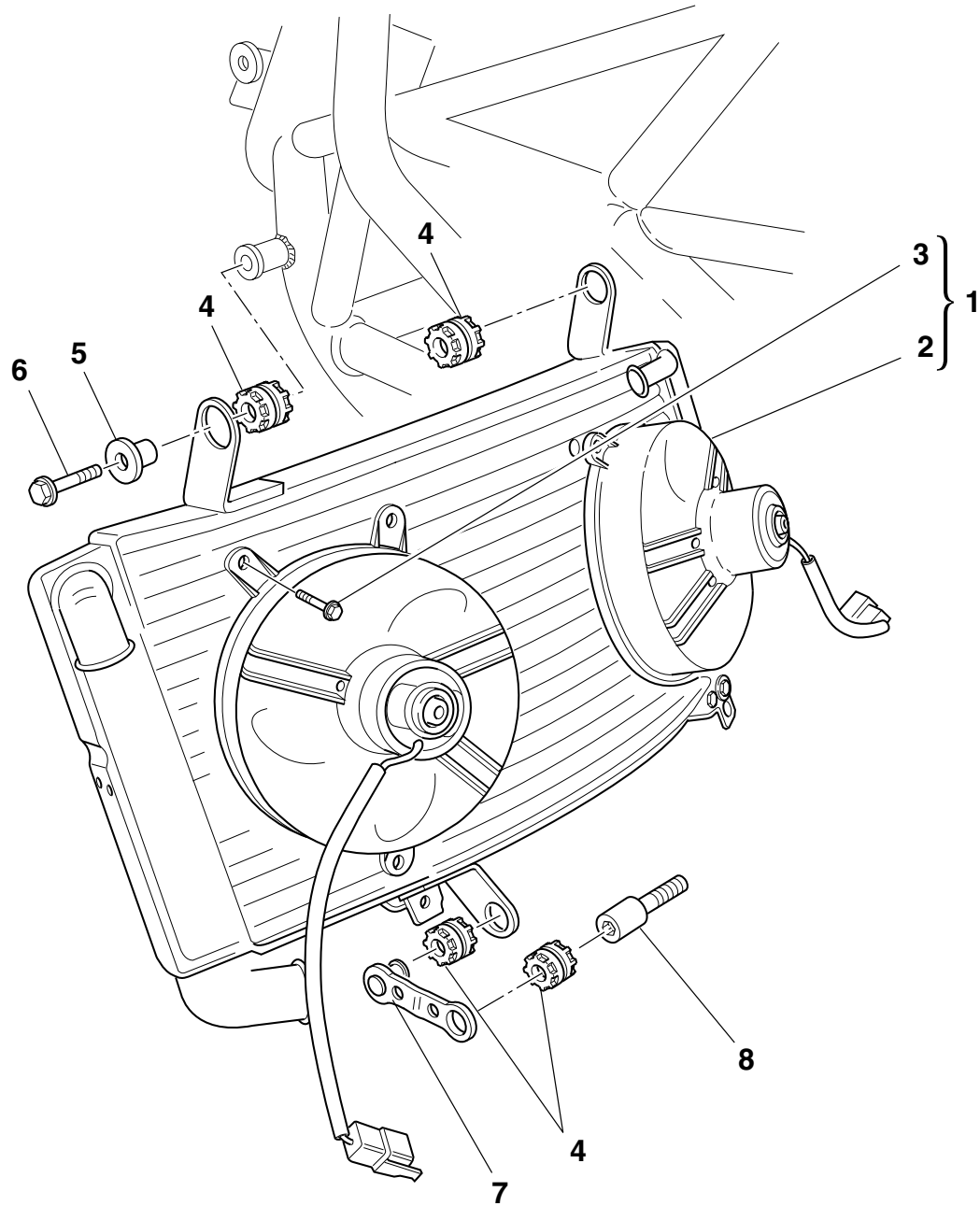
NOTES	NO.	CODE NO.	DESCRIPTION	VALIDITY	Q.TY	
	1	442.2.070.1AA	Air box (RED)		1	
	2	0000.48971	Rubber pad		3	
	3	850.2.002.1A	Hook		4	
	4	442.1.015.1B	R.H. air filter box		1	
	5	774.5.002.1B	Screw		16	
	6	246.1.005.1A	R.H. filter case cover		1	
	7	426.2.003.1A	R.H. air filter		1	
	8	812.1.025.1A	L.H. restriction		1	
	9	736.4.013.1B	Shear rivet		8	
	10	788.1.045.1A	R.H. gasket		1	
	11	791.1.035.1A	Gasket		2	
	12	876.1.078.1A	Exhaust pipe		1	
	13	850.4.037.2A	Quik fastening		6	
	14	791.1.041.1B	Airbox-tank gasket		1	
	15	772.1.008.1A	Special screw		2	
	16	772.1.017.1A	Special screw		4	
	17	876.2.054.1A	Breather pipe		1	
	18	8000.50450	Hose guide		1	
	19	585.1.028.1B	Oil breather tank		1	
	20	0000.63150	Insert		2	
	21	827.1.099.2A	Plate		1	
	22	8A00.67997	Screw		2	
	23	772.5.025.1A	Screw		2	
	24	8000.50454	Hose guide		1	
	25	876.1.076.1A	Breather pipe		1	
	26	741.5.027.1B	Hose guide		1	
	27	812.1.024.1A	R.H. restriction		1	

CATALOGUE No: 915.1.211.2A  
ISSUED: 12 - 04


NOTES	NO.	CODE NO.	DESCRIPTION	VALIDITY	Q.TY	
	28	852.1.079.1A	Washer		8	
	29	246.1.004.1A	L.H. filter case cover		1	
	30	426.2.002.1A	L.H. air filter		1	
	31	442.1.014.1B	L.H. air filter box		1	
	32	788.1.044.1A	L.H. gasket		1	
	33	764.1.025.1A	Seal		1	
	34	486.1.060.1A	Panel		2	

CATALOGUE No: 915.1.211.2A  
ISSUED: 12 - 04

DRAWING **032** WATER RADIATOR ASSY



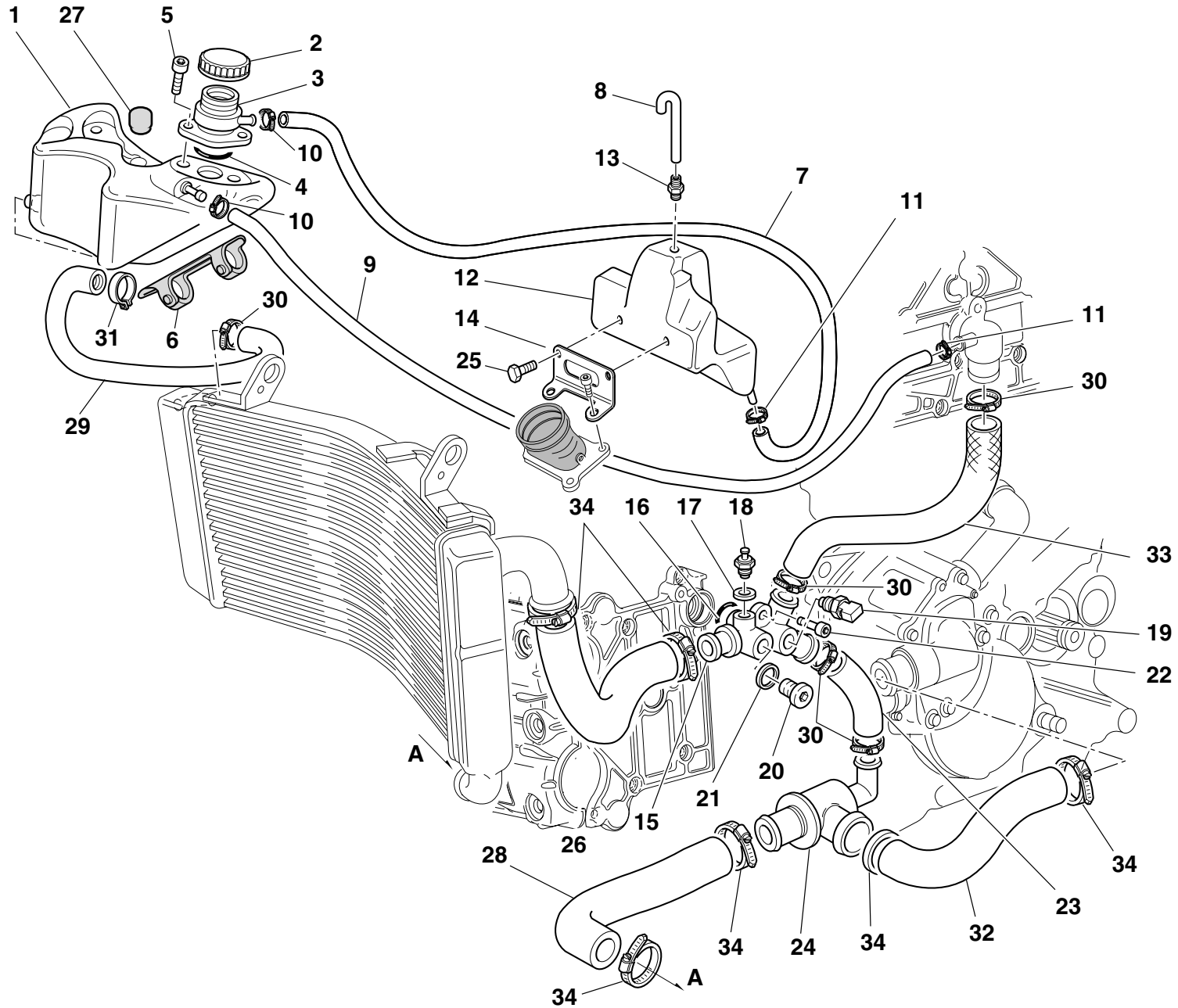
DRAWING **032** WATER RADIATOR ASSY

NOTES	NO.	CODE NO.	DESCRIPTION	VALIDITY	Q.TY	
	1	548.4.028.1A	Water radiator		1	
	2	550.4.011.1A	Electric fan		2	
	3	772.5.025.1A	Screw		6	
	4	764.1.022.1A	Vibration damper pad		4	
	5	713.1.304.1A	Spacer		1	
	6	0000.62729	Screw		1	
	7	830.1.210.1A	Holder		1	
	8	779.1.202.1A	Special screw		1	

NOTES	NO.	CODE NO.	DESCRIPTION	VALIDITY	Q.TY	
-------	-----	----------	-------------	----------	------	---


DRAWING 033

COOLING CIRCUIT






DRAWING **033** COOLING CIRCUIT

NOTES	NO.	CODE NO.	DESCRIPTION	VALIDITY	Q.TY	
	1	585.1.011.1A	Water tank		1	
	2	893.1.004.1A	Tank cap		1	
	3	668.1.026.1B	Filler		1	
	4	93823.0119	O-ring		1	
	5	707006N02	Screw		2	
	6	741.1.011.1A	Hose guide		2	
	7	876.1.058.1A	Tube		1	
	8	876.1.080.1A	Breather pipe		1	
	9	876.1.075.1A	Tube		1	
	10	741.4.001.1A	Hose guide		2	
	11	741.4.064.1A	Hose guide		2	
	12	585.1.029.1A	Water tank		1	
	13	779.1.121.2A	Union		1	
	14	829.1.286.1A	Holder		1	
	15	814.1.037.1AB	Union		1	
	16	93823.2087	O-ring		1	
	17	420.2.001.0A	Gasket th.1		1	
	18	552.1.044.1A	Thermistor		1	
	19	552.4.013.1A	Sensor		1	
	20	893.1.002.1A	Cap		1	
	21	220.3.208.3A	Gasket		1	
	22	771.5.065.8B	Screw		1	
	23	800.1.068.1A	Hose		1	
	24	553.4.003.1A	Thermostat		1	
	25	772.5.025.1A	Screw		2	
	26	800.1.072.1A	Hose		1	
	27	866.1.021.1A	Rubber pad		1	

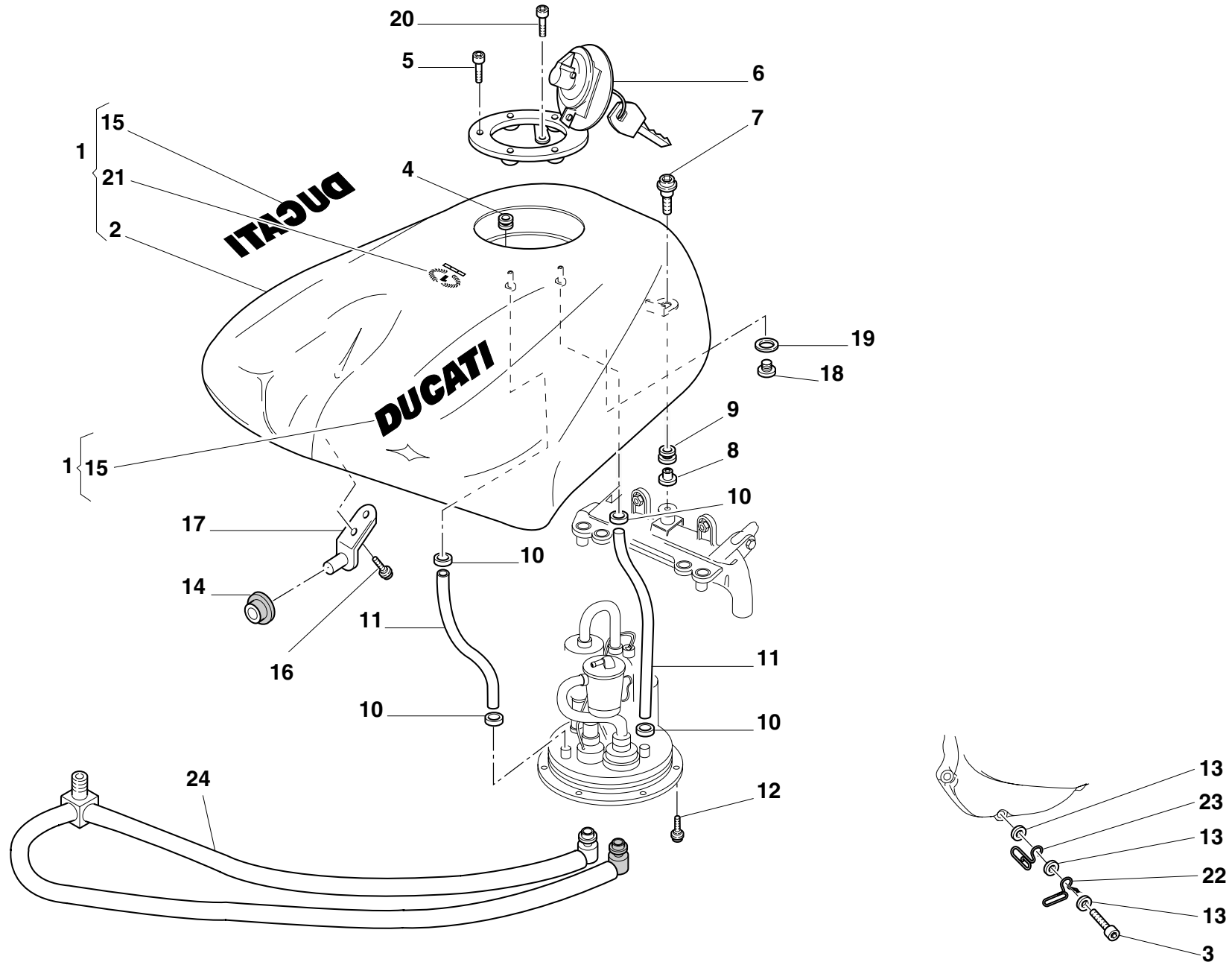
CATALOGUE No: 915.1.211.2A  
ISSUED: 12 - 04

NOTES	NO.	CODE NO.	DESCRIPTION	VALIDITY	Q.TY	
	28	800.1.071.1A	Cooler/thermostat hose		1	
	29	800.1.040.1A	Hose		1	
	30	741.4.002.1A	Hose guide		7	
	31	8000.50442	Hose guide		1	
	32	800.1.069.1A	Thermostat/pump hose		1	
	33	800.1.064.1A	Union/head hose		1	
	34	741.4.025.1A	Hose guide		6	


CATALOGUE No: 915.1.211.2A  
ISSUED: 12 - 04


DRAWING 034

FUEL TANK

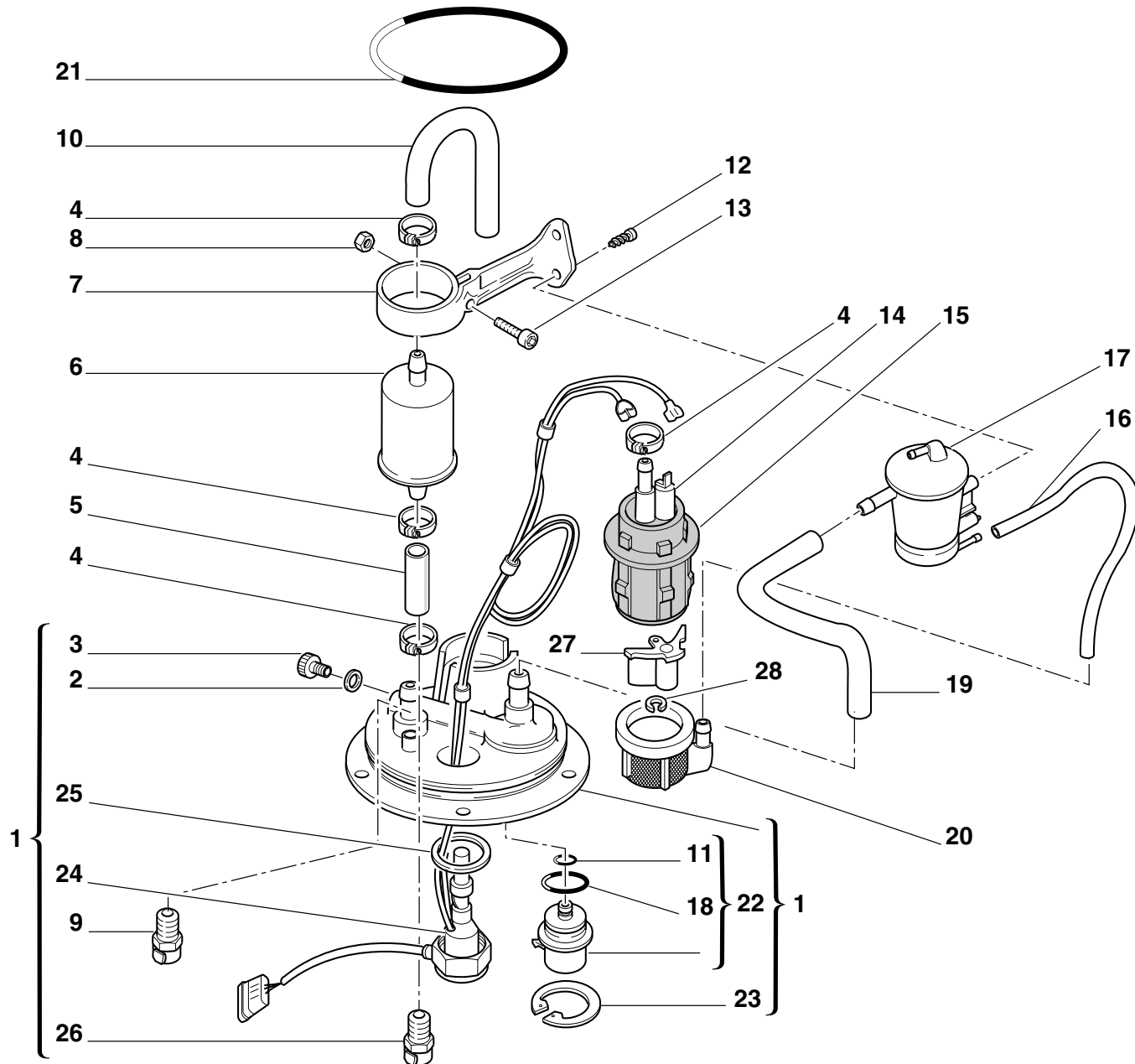


DRAWING **034** FUEL TANK


NOTES	NO.	CODE NO.	DESCRIPTION	VALIDITY	Q.TY	
	1	586.1.049.1AC	Fuel tank (RED)		1	
	2	586.1.025.0CA	Fuel tank (unpainted)		1	
	3	60N102511	Screw		1	
	4	791.1.012.1A	Gasket		1	
	5	771.5.045.7E	Screw		3	
	6	895.4.001.2A	Tank cap		1	
	7	771.1.004.1A	Special screw		1	
	8	716.1.021.2A	Spacer		1	
	9	700.1.019.1A	Rubber pad		1	
	10	741.4.004.1A	Hose guide		4	
	11	590.1.057.1A	Exhaust pipe		2	
	12	772.1.007.1A	Special screw		3	
	13	734306N01	Washer		2	
	14	700.1.028.2A	Rubber pad		1	
	15	435.1.090.1AA	Sticker "DUCATI" (RED)		2	
	16	8000.62726	Screw		2	
	17	587.1.023.1B	Front connection		1	
	18	8000.77921	Screw		1	
	19	420.2.001.0A	Gasket th.1		1	
	20	771.5.040.2B	Screw		1	
	21	435.1.111.1AA	Sticker "alloro Ducati" (RED)		1	
	22	829.1.073.3A	Holder		1	
	23	881.1.030.1A	Holder		1	
	24	590.2.020.1A	Fuel pipe		1	

NOTES	NO.	CODE NO.	DESCRIPTION	VALIDITY	Q.TY	
-------	-----	----------	-------------	----------	------	---


DRAWING **034a** FUEL SYSTEM



DRAWING **034a** FUEL SYSTEM

NOTES	NO.	CODE NO.	DESCRIPTION	VALIDITY	Q.TY	
	1	160.9.037.1A	Flange		1	
	2	420.2.001.0A	Gasket th.1		1	
	3	780.1.008.1A	Cap		1	
	4	741.4.004.1A	Hose guide		4	
	5	590.1.056.1A	Filter/pump pipe		1	
	6	425.4.004.1B	Fuel filter		1	
	7	829.1.104.1A	Holder		1	
	8	0419.50.115	Hexagon nut		1	
	9	588.4.010.1A	End section		1	
	10	590.1.055.1A	Tube		1	
	11	886.4.021.1A	O-ring		1	
	12	72237.0974	Self-tapping screw		2	
	13	0419.50.045	Screw		1	
	14	430.4.004.1A	Fuel pump		1	
	15	829.1.077.2B	Pump holder		1	
	16	590.1.059.1A	Tube		1	
	17	427.4.002.1A	Air separator		1	
	18	886.4.022.1A	O-ring		1	
	19	590.1.058.1A	Tube		1	
	20	427.1.003.1A	Fuel pump filter		1	
	21	886.5.001.1A	O-Ring		1	
	22	283.4.003.1A	Pressure regulator		1	
	23	73503.3449	Circlip		1	
	24	592.1.007.3B	Tank wiring		1	
	25	789.1.001.1A	Gasket		1	
	26	588.4.009.1A	End section		1	
	27	484.1.029.1B	Manifold		1	


CATALOGUE No: 915.1.211.2A  
ISSUED: 12 - 04

NOTES	NO.	CODE NO.	DESCRIPTION	VALIDITY	Q.TY	
	28	850.4.031.1A	Snap ring		1	


CATALOGUE No: 915.1.211.2A  
ISSUED: 12 - 04



DRAWING **035** SEAT (monoposto)

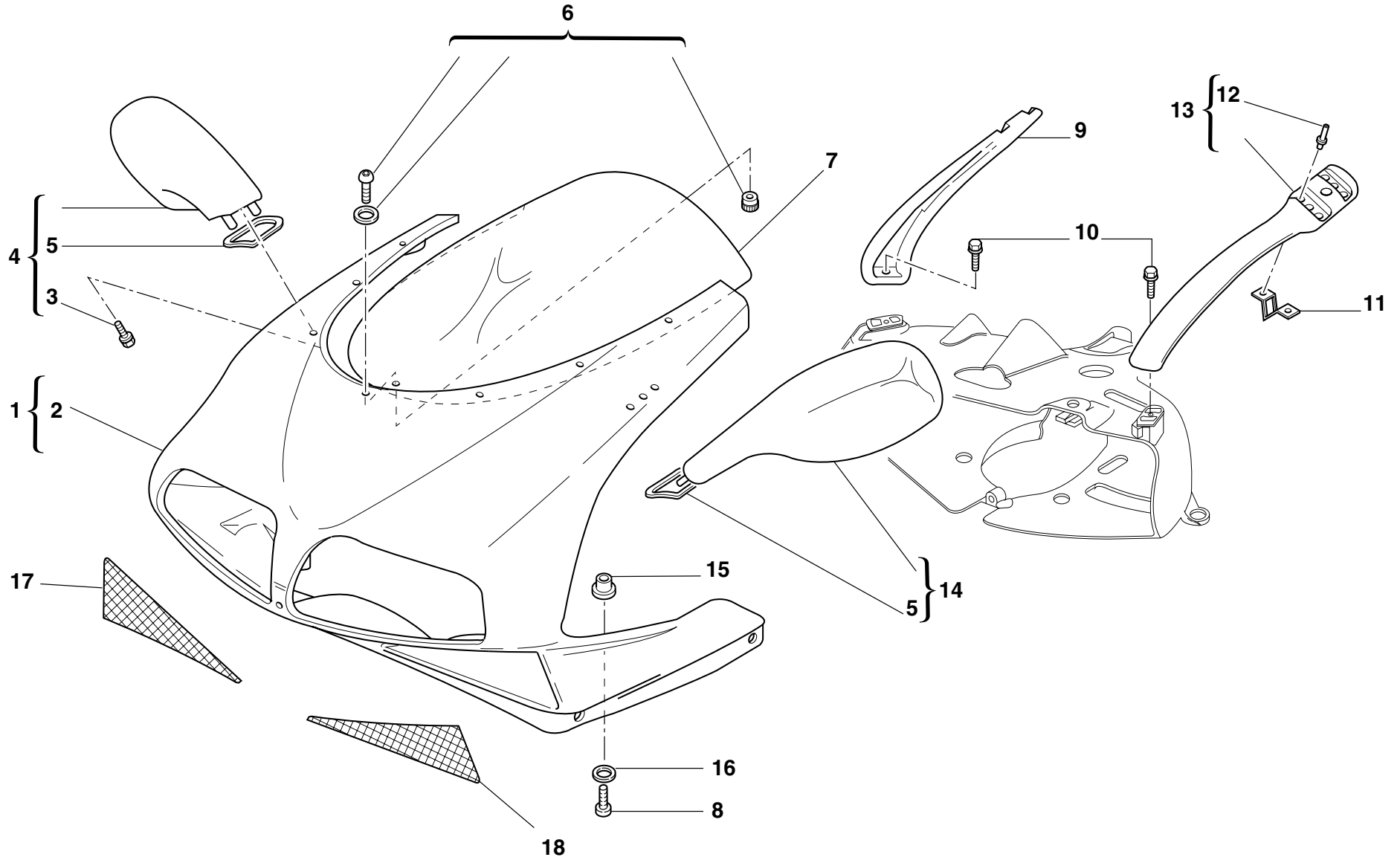
NOTES	NO.	CODE NO.	DESCRIPTION	VALIDITY	Q.TY	
	1	483.2.056.1AA	Rear fairing (RED)		1	
	2	438.1.381.1A	RH Italian flag decal		1	
	3	436.1.011.1C	Sticker "DUCATI CAMPIONE DEL MONDO SUPERBIKE"		2	
	4	829.2.004.2A	Holder		1	
	5	8H00.67545	Screw		2	
	6	866.1.020.1A	Rubber pad		2	
	7	60N115548	Washer		4	
	8	8000.56443	Nut		4	
	9	866.1.019.1A	Rubber pad		4	
	10	821.1.057.1A	Pin		2	
	11	455.1.005.1A	Linkage		1	
	12	595.1.027.1B	Seat		1	
	13	60N102482	Screw		2	
	14	827.1.085.1A	Bracket		1	
	15	749.4.030.1A	Nut		2	
	16	799.1.057.1A	Spring		1	
	17	856.1.043.1A	Spacer		1	
	18	764.1.014.1A	Rubber pad		1	
	19	777.5.234.2B	Screw		2	
	20	827.1.086.1A	Bracket		1	
	21	483.3.019.2A	Rear fairing (unpainted)		1	
	22	866.1.023.1A	R.H. pad		1	
	23	866.1.024.1A	L.H. pad		1	
	24	827.1.108.1A	Plate		1	
	25	827.1.111.1A	Plate		1	
	26	470412	Screw		1	
	27	832.1.008.1A	Pin		2	

CATALOGUE No: 915.1.211.2A  
ISSUED: 12 - 04

NOTES	NO.	CODE NO.	DESCRIPTION	VALIDITY	Q.TY	
	28	866.1.018.1A	Rubber pad		1	
	29	525.4.005.3A	Tail lamp		1	
	30	8000.72911	Lens		1	
	31	390.4.003.1A	Two-light bulb 12V 5/21W		2	
	32	529.1.006.1A	Reflector		1	
	33	829.1.242.1A	Holder		1	
	34	852.5.001.1A	Washer		2	
	35	774.5.004.1A	Screw		2	
	36	764.1.024.1A	Vibration damper pad		2	
	37	713.1.099.1A	Spacer		2	
	38	772.5.025.1A	Screw		2	
	39	0659.03.810	Plastic rivet		4	
	40	460.1.052.1B	L.H. protection		1	
	41	460.1.053.1A	R.H. protection		1	
	42	460.1.054.1A	L.H. protection		1	
	43	460.1.051.1B	R.H. protection		1	
	44	438.1.380.1A	LH Italian flag decal		1	


CATALOGUE No: 915.1.211.2A  
ISSUED: 12 - 04


DRAWING **036** HEADLIGHT FAIRING



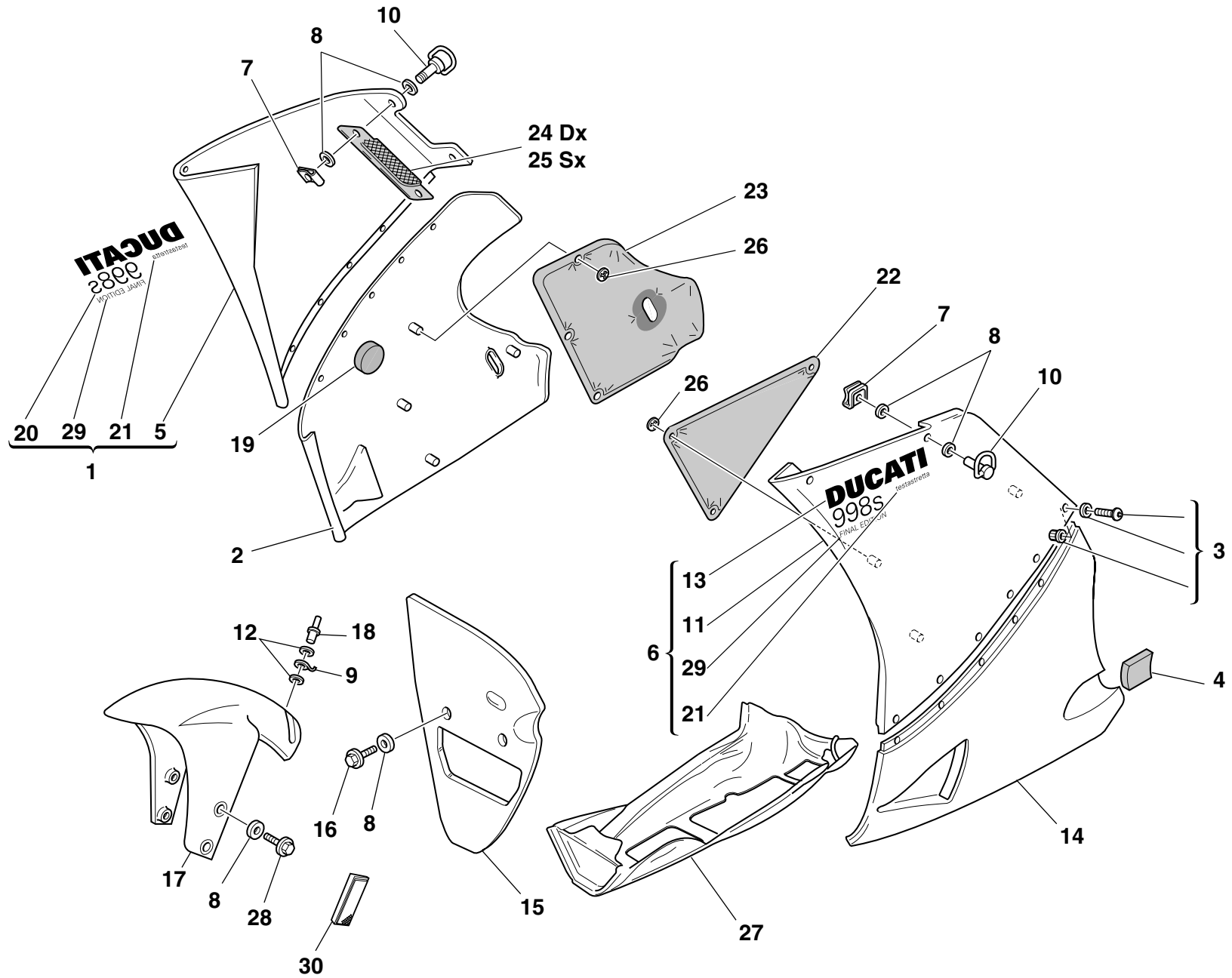


DRAWING **036** HEADLIGHT FAIRING

NOTES	NO.	CODE NO.	DESCRIPTION	VALIDITY	Q.TY	
	1	481.2.012.1BA	Headlight fairing (RED)		1	
	2	481.3.012.1A	Headlight fairing (unpainted)		1	
	3	779.1.137.1A	Special screw		2	
	4	523.1.004.1CA	R.H. rear-view mirror (RED)		1	
	5	713.1.089.1A	Gasket		2	
	6	699.2.072.1A	Fairing fastening kit		9	
	7	487.1.030.1A	Windshield		1	
	8	775.1.038.1A	Screw		2	
	9	829.2.123.1AB	R.H. mirror holder		1	
	10	8000.62726	Screw		2	
	11	799.1.228.1A	Spring		4	
	12	736.4.012.1A	Shear rivet		8	
	13	829.2.122.1AB	L.H. mirror holder		1	
	14	523.1.003.1CA	L.H. rear-view mirror (RED)		1	
	15	0364.99.020	Bush		2	
	16	8000.56391	Nylon washer		2	
	17	460.1.057.1A	R.H. protection		1	
	18	460.1.056.1A	L.H. protection		1	

NOTES	NO.	CODE NO.	DESCRIPTION	VALIDITY	Q.TY	
-------	-----	----------	-------------	----------	------	---


DRAWING **036a** FAIRING



DRAWING **036a** FAIRING

NOTES	NO.	CODE NO.	DESCRIPTION	VALIDITY	Q.TY	
	1	480.1.161.1AA	R.H. upper half-fairing (RED)		1	
	2	480.1.116.1AA	R.H. lower half-fairing (RED)		1	
	2	480.3.116.1A	R.H. lower half-fairing (unpainted)		1	
	3	699.2.072.1A	Fairing fastening kit		14	
	4	460.1.067.1A	Panel (BLACK)		3	
	5	480.1.111.1A	R.H. upper half-fairing (unpainted)		1	
	6	480.1.160.1AA	L.H. upper half-fairing (RED)		1	
	7	850.4.019.1A	Quik fastening		14	
	8	856.1.042.1A	Nylon washer		26	
	9	850.1.003.1A	Clip		1	
	10	850.4.023.1A	Long pin		16	
	11	480.1.112.1A	L.H. upper half-fairing (unpainted)		1	
	12	852.1.075.1A	Washer		2	
	13	438.1.252.1A	L.H. Sticker "DUCATI 998S" (RED)		1	
	14	480.1.117.1AA	L.H. lower half-fairing (RED)		1	
	14	480.3.117.1A	L.H. lower half-fairing (unpainted)		1	
	15	484.1.043.1AA	Air manifold (RED)		1	
	15	484.3.043.1A	Manifold (unpainted)		1	
	16	772.5.025.1A	Screw		2	
	17	564.1.018.1A	Front mudguard (RED)		1	
	17	564.3.018.1A	Front mudguard (unpainted)		1	
	18	736.4.013.1B	Shear rivet		1	
	19	764.1.017.1A	Vibration damper pad		1	
	20	438.1.251.1A	R.H. Sticker "DUCATI 998S" (RED)		1	
	21	437.1.117.1AA	Sticker"testastretta" (RED)		2	
	22	486.1.057.1A	L.H. side panel		1	
	23	486.1.058.1A	R.H. side panel		1	

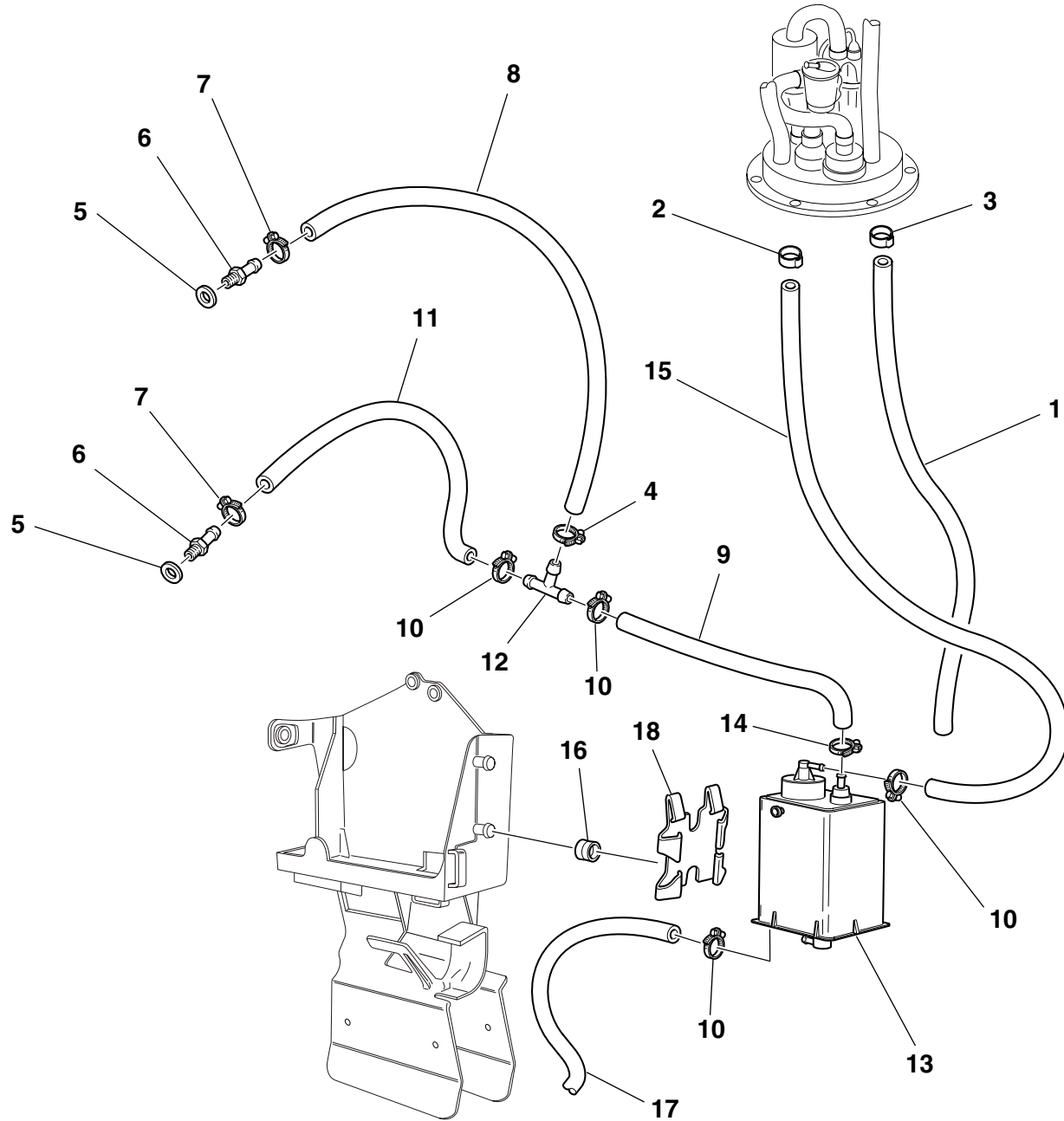
CATALOGUE No: 915.1.211.2A  
ISSUED: 12 - 04

NOTES	NO.	CODE NO.	DESCRIPTION	VALIDITY	Q.TY	
	24	460.1.106.1B	Net		1	
	25	460.1.105.1B	Net		1	
	26	850.4.044.1A	Quik fastening		12	
	27	480.1.124.1A	Lower fairing (CARBON)		1	
	28	772.5.023.1A	Screw		4	
	29	438.1.378.1A	Decal "FINAL EDITION"		2	
	30	529.1.008.1AB	Cat's eye (AMBER)		2	


CATALOGUE No: 915.1.211.2A  
ISSUED: 12 - 04

DRAWING 037

FUEL INFEED



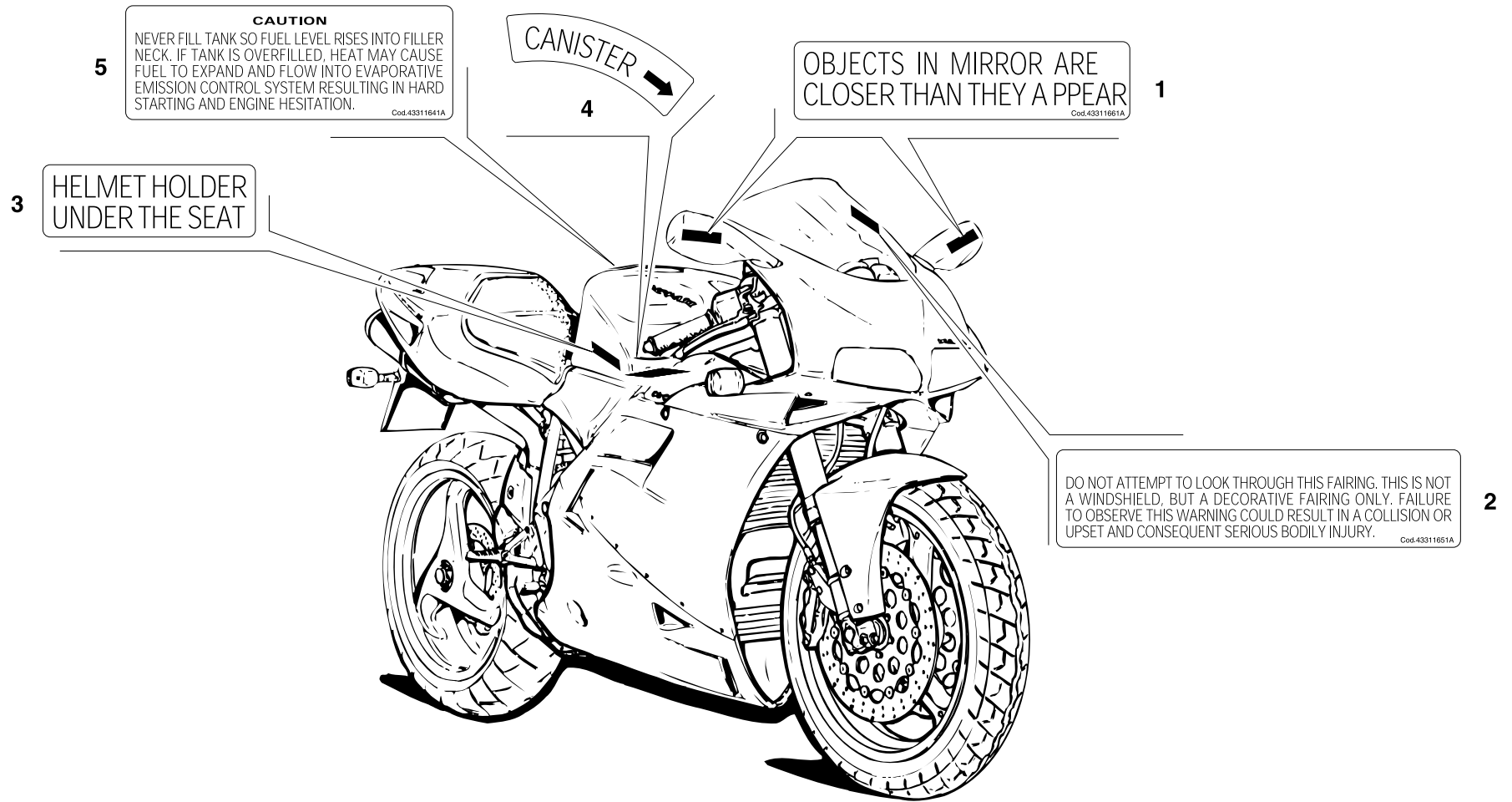
DRAWING **037** **FUEL INFEED**

NOTES	NO.	CODE NO.	DESCRIPTION	VALIDITY	Q.TY	
	1	590.1.095.1A	Breather pipe		1	
	2	741.4.057.1A	Hose guide		1	
	3	741.4.043.1A	Hose guide		1	
	4	741.4.059.1A	Hose guide		1	
	5	852.5.023.1A	Gasket		2	
	6	814.1.111.1B	Union		2	
	7	741.4.013.1B	Hose guide		2	
	8	590.1.111.1A	Fuel pipe		2	
	9	590.1.117.1A	Tube		1	
	10	741.4.063.1A	Hose guide		4	
	11	590.1.192.1A	Tube		1	
	12	0361.98.850	Shunt valve		1	
	13	426.1.007.1B	CANISTER filter		1	
	14	741.4.058.1A	Hose guide		1	
	15	590.1.174.1A	Tube		1	
	16	764.1.029.1A	Rubber pad		2	
	17	590.1.141.1A	Tube		1	
	18	827.1.157.1A	Plate		1	


NOTES	NO.	CODE NO.	DESCRIPTION	VALIDITY	Q.TY	
-------	-----	----------	-------------	----------	------	---

DRAWING 038

MARKING PLATES



DRAWING **038** MARKING PLATES

NOTES	NO.	CODE NO.	DESCRIPTION	VALIDITY	Q.TY	
	1	433.1.166.1A	Label		2	
	2	433.1.165.1A	Sticker		1	
	3	433.1.170.1A	Sticker		1	
	4	433.1.172.1A	Sticker		1	
	5	433.1.164.1A	Sticker		1	

NOTES	NO.	CODE NO.	DESCRIPTION	VALIDITY	Q.TY	
-------	-----	----------	-------------	----------	------	---

## INDEX

CODE No.	Drwg.	POS. N.	CODE No.	Drwg.	POS. N.	CODE No.	Drwg.	POS. N.	CODE No.	Drwg.	POS. N.	CODE No.	Drwg.	POS. N.
0000.07051	29a	6	0011.52.010	10	6	0660.13.143	2	9	117.2.006.1A	4	29	171.2.020.2B	8	13
0000.33552	24	20	0011.52.010	11a	18	0660.13.165	2	25	117.2.030.1A	23	27	172.1.002.1B	3	10
0000.39727	26	31	0023.37.153	30	16	0660.16.145	4	21	120.2.083.4A	7	10	172.1.003.1C	3	8
0000.44099	18b	8	0124.40.060	8	15	0660.50.020	12	8	121.1.078.2A	7	3	172.1.004.1C	3	5
0000.44099	19	13	0251.47.050	3	1	0665.49.680	5a	1	121.1.079.1A	7	2	172.1.005.1C	3	9
0000.44240	20	31	0251.47.054	3	1	0670.16.145	3	7	121.2.031.1A	7	4	172.1.006.1B	3	18
0000.48971	31	2	0272.91.090	2	8	0670.16.150	3	3	122.2.064.1A	7	1	172.1.007.1B	3	24
0000.56750	20	14	0361.98.850	37	12	0670.16.155	3	19	140.1.019.1A	14	10	172.1.008.1C	3	22
0000.56803	18b	26	0364.99.020	29a	3	0670.16.164	3	11	146.2.108.1A	6	1	172.1.009.1C	3	21
0000.59056	23	17	0364.99.020	36	15	0670.16.165	3	15	147.1.014.1A	8	10	172.1.010.1C	3	20
0000.59056	26	5	0370.49.250	10	22	0670.16.170	3	26	148.2.094.1B	15	15	172.1.011.1C	3	23
0000.61078	24	12	0370.72.020	24	8	0670.16.171	3	26	148.2.095.1B	15	20	173.1.012.3A	12	20
0000.61078	26	18	0370.72.020	25	18	0670.16.184	3	15	148.2.096.1B	15	14	174.1.025.1A	9	12
0000.62648	27	7	0400.09.050	2	21	0670.16.185	3	15	148.2.097.1B	15	18	174.2.025.5A	9	1
0000.62652	16	18	0400.17.030	10	13	0670.49.310	9	26	149.1.032.3A	3	25	176.1.001.1A	12	6
0000.62729	16	19	0400.17.030	4	26	0670.49.910	9	21	150.2.006.1B	3	2	176.1.009.1A	12	10
0000.62729	19	11	0400.29.125	2	34	0675.03.210	1	2	150.2.047.2A	3	27	180.1.001.1A	2	11
0000.62729	32	6	0400.29.126	2	34	0691.91.030	18b	27	150.2.053.2A	3	16	180.1.002.1A	2	12
0000.62730	19	21	0400.49.240	11	13	0755.29.025	6	10	158.2.020.1A	6	5	180.1.008.1A	2	24
0000.63150	31	20	0400.49.240	5	13	0755.29.025	8	12	160.1.021.1C	28	5	182.2.018.1A	2	18
0000.64471	27	6	0419.50.045	34a	13	0759.49.280	9	15	160.1.057.1A	12	13	184.1.001.1A	26	14
0000.66181	25	15	0419.50.115	34a	8	0765.92.205	2	21	160.1.094.1A	15	21	190.2.011.1A	4	8
0000.66527	18b	25	0619.50.065	12	17	0799.13.110	2	27	160.1.095.1A	19	2	194.2.015.1A	4	12
0000.69056	26	28	0659.03.810	35	39	0803.77.010	27	17	160.1.096.1A	19	18	195.4.003.1A	4	22
0000.78348	20	24	0659.16.555	4	1	112.1.026.1AA	6	8	160.9.037.1A	34a	1	196.1.001.2B	4	10
0000.79672	21	10	0660.13.060	2	19	112.1.026.1AB	6	8	162.1.001.1B	4	7	198.1.003.2C	4	13
0000.79673	21	3	0660.13.070	2	13	117.1.025.2A	26	15	170.2.032.1A	4	17	208.1.009.6A	13	3



## INDEX

CODE No.	Drwg.	POS. N.	CODE No.	Drwg.	POS. N.	CODE No.	Drwg.	POS. N.	CODE No.	Drwg.	POS. N.	CODE No.	Drwg.	POS. N.
209.1.013.6A	13	16	247.1.155.1A	7	9	304.1.031.1AC	13	13	397.4.002.1A	18a	15	430.4.004.1A	34a	14
209.1.014.6A	13	4	247.1.174.1A	9	2	304.1.033.1A	13	10	400.2.015.1B	20	12	433.1.164.1A	38	5
210.1.027.1A	13	14	247.2.166.2A	11a	13	304.1.033.1AB	13	10	401.4.028.1A	20	23	433.1.165.1A	38	2
211.1.031.1A	13	5	250.1.038.1A	9	5	304.1.033.1AC	13	10	402.4.012.1A	20	26	433.1.166.1A	38	1
220.3.208.3A	33	21	251.2.009.1A	11	16	340.2.128.2A	22a	1	403.1.013.1A	20	5	433.1.167.1A	30	42
220.3.208.3A	9	16	254.1.001.1A	11a	23	340.2.129.2A	22a	2	404.4.006.1A	20	27	433.1.170.1A	38	3
225.2.069.2A	10	1	254.4.001.1A	5	4	341.1.011.2A	22	23	407.4.001.1B	20	21	433.1.172.1A	38	4
242.2.038.2BB	11a	22	255.1.010.2B	8	18	342.2.027.2A	22	1	408.1.010.1A	20	18	433.1.179.1A	18b	15
242.2.062.1A	11a	14	255.1.019.2A	15	22	343.2.005.1A	22	4	417.6.011.3A	5a	7	433.1.272.1A	18b	23
243.1.025.1AD	5	1	264.4.014.3B	11	1	349.1.096.1A	22a	3	417.6.082.9A	10a	13	435.1.090.1AA	34	15
243.2.038.3A	5a	6	270.4.005.1A	12	1	349.2.010.1A	22a	4	417.9.050.6A	18a	12	435.1.111.1AA	34	21
245.1.027.1A	8	2	276.1.025.1B	12	16	360.2.030.1A	22	7	418.4.052.7A	15	11	436.1.011.1C	35	3
245.1.045.1A	8	1	282.4.045.1A	17	5	360.2.031.1A	22	35	420.2.001.0A	11a	17	437.1.117.1AA	36a	21
245.1.046.1A	8	3	283.4.003.1A	34a	22	364.1.003.1A	22	21	420.2.001.0A	16	7	438.1.251.1A	36a	20
246.1.004.1A	31	29	284.4.002.1A	17	6	365.2.016.1B	30	1	420.2.001.0A	19	30	438.1.252.1A	36a	13
246.1.005.1A	31	6	285.4.003.1A	18b	3	369.1.003.1A	30	37	420.2.001.0A	24	17	438.1.378.1A	36a	29
246.1.068.1A	18b	22	286.4.111.1A	18	1	370.1.014.1A	30	19	420.2.001.0A	25	8	438.1.380.1A	35	44
247.1.002.1BC	11a	6	287.2.004.1A	17	4	372.2.004.1A	30	8	420.2.001.0A	26	23	438.1.381.1A	35	2
247.1.073.1A	23	11	301.2.109.3A	15	1	389.4.006.1A	18b	21	420.2.001.0A	33	17	442.1.014.1B	31	31
247.1.074.1A	23	8	303.1.024.1AB	13	12	389.4.007.1A	18b	21	420.2.001.0A	34	19	442.1.015.1B	31	4
247.1.083.1AE	11a	1	303.1.024.1AC	13	12	389.4.008.1A	18b	21	420.2.001.0A	34a	2	442.2.070.1AA	31	1
247.1.120.1A	7	8	303.1.024.1AD	13	12	389.4.010.1A	18b	21	425.4.004.1B	34a	6	444.4.003.4A	9	20
247.1.122.1A	15	6	303.1.025.1AB	13	7	389.4.013.1A	18b	21	426.1.007.1B	37	13	446.1.002.1A	30	41
247.1.147.1A	14	1	303.1.025.1AC	13	7	389.4.014.1A	18b	18	426.2.002.1A	31	30	447.1.019.1A	30	25
247.1.148.1A	14	2	303.1.025.1AD	13	7	389.4.016.1A	18b	21	426.2.003.1A	31	7	447.1.020.1A	30	26
247.1.149.1A	14a	1	304.1.031.1A	13	13	390.4.003.1A	35	31	427.1.003.1A	34a	20	449.1.041.1A	3	12
247.1.150.1A	14a	2	304.1.031.1AB	13	13	395.4.013.1B	18a	7	427.4.002.1A	34a	17	451.1.017.1A	8	23

## INDEX

CODE No.	Drwg.	POS. N.	CODE No.	Drwg.	POS. N.	CODE No.	Drwg.	POS. N.	CODE No.	Drwg.	POS. N.	CODE No.	Drwg.	POS. N.
451.1.018.2A	8	6	471.2.034.1D	29	1	501.2.105.1AA	27	10	525.4.005.3A	35	29	552.4.028.1A	1c	15
451.1.019.1C	8	24	480.1.111.1A	36a	5	502.2.107.1AA	27	16	529.1.006.1A	29a	20	552.4.031.1A	20	2
451.1.020.1C	8	7	480.1.112.1A	36a	11	510.1.061.1A	20	13	529.1.006.1A	35	32	553.4.003.1A	33	24
455.1.005.1A	35	11	480.1.116.1AA	36a	2	510.1.070.1A	20	28	529.1.008.1AB	36a	30	556.1.013.2A	23	38
455.2.003.1A	2	4	480.1.117.1AA	36a	14	510.1.082.1A	21	13	532.4.001.1A	21	29	556.2.025.1A	23	35
456.1.006.2A	23	20	480.1.124.1A	36a	27	510.1.163.1A	21	18	532.4.001.1A	29a	15	559.1.003.1A	29	9
456.2.007.1A	23	19	480.1.160.1AA	36a	6	510.1.165.1A	18b	16	538.4.006.1A	18a	6	561.1.010.1A	29a	7
457.2.008.1A	26	6	480.1.161.1AA	36a	1	510.1.209.1A	18b	1	539.1.021.1A	2	6	561.1.019.1A	29a	10
460.1.040.1A	30	40	480.3.116.1A	36a	2	513.1.008.2D	18	4	539.1.023.2A	23	24	564.1.018.1A	36a	17
460.1.051.1B	35	43	480.3.117.1A	36a	14	514.1.029.1B	18a	14	539.4.003.1B	26	21	564.3.018.1A	36a	17
460.1.052.1B	35	40	481.2.012.1BA	36	1	514.1.030.1B	18a	13	539.4.021.1A	25	5	570.1.069.1A	19	12
460.1.053.1A	35	41	481.3.012.1A	36	2	514.1.032.1A	1d	9	539.4.030.1A	5	9	570.1.070.1A	19	29
460.1.054.1A	35	42	483.2.056.1AA	35	1	514.1.033.1A	1d	13	540.4.011.1C	18a	8	571.1.069.1A	19	9
460.1.056.1A	36	18	483.3.019.2A	35	21	514.1.034.1A	1d	12	541.4.003.1A	18a	5	573.1.069.1A	19	17
460.1.057.1A	36	17	484.1.029.1B	34a	27	514.1.035.1A	1d	10	541.4.003.1A	21	23	574.1.069.1A	19	19
460.1.067.1A	36a	4	484.1.043.1AA	36a	15	514.1.036.1A	1d	10	548.4.028.1A	32	1	576.1.036.1A	19	24
460.1.105.1B	36a	25	484.3.043.1A	36a	15	514.1.037.1A	1d	6	548.4.039.1A	16	16	585.1.011.1A	33	1
460.1.106.1B	36a	24	486.1.038.1C	29a	5	514.1.038.1A	1d	14	549.1.017.1C	16	4	585.1.028.1B	31	19
460.1.111.1A	19	15	486.1.057.1A	36a	22	516.4.001.1AB	21	21	549.1.018.1C	16	1	585.1.029.1A	33	12
462.4.037.6A	18a	11	486.1.058.1A	36a	23	520.4.032.1A	21	1	550.4.011.1A	32	2	586.1.025.0CA	34	2
463.2.050.5A	14	5	486.1.060.1A	31	34	521.4.007.1A	21	6	552.1.037.1A	1d	4	586.1.049.1AC	34	1
463.2.050.5A	14a	4	487.1.030.1A	36	7	521.4.008.1A	21	7	552.1.038.1A	1d	5	587.1.023.1B	34	17
463.2.053.7A	4	15	492.4.011.1B	28	20	521.4.009.1A	21	11	552.1.039.1A	1d	7	588.4.009.1A	34a	26
464.1.005.1A	23	12	492.4.026.1A	27	5	521.4.010.1A	21	5	552.1.040.1A	1d	11	588.4.010.1A	34a	9
464.1.006.1A	23	5	494.2.043.1A	28	10	523.1.003.1CA	36	14	552.1.044.1A	33	18	590.1.055.1A	34a	10
470.1.061.1AA	23	1	497.2.001.2A	27	18	523.1.004.1CA	36	4	552.4.013.1A	33	19	590.1.056.1A	34a	5
470412	35	26	498.1.009.1A	27	3	525.1.004.2A	29a	8	552.4.020.1A	11a	8	590.1.057.1A	34	11

## INDEX

CODE No.	Drwg.	POS. N.	CODE No.	Drwg.	POS. N.	CODE No.	Drwg.	POS. N.	CODE No.	Drwg.	POS. N.	CODE No.	Drwg.	POS. N.
590.1.058.1A	34a	19	612.4.005.1A	25	12	655.2.009.1A	22	40	701.4.003.1A	12	19	710.1.001.1A	9	13
590.1.059.1A	34a	16	612.4.008.1A	26	30	656.1.035.1A	22	28	701.4.004.1A	30	9	710.1.002.1A	4	23
590.1.095.1A	37	1	612.4.013.1A	26	32	658.4.002.1B	22	31	701.4.005.1A	3	4	710.1.023.1A	30	33
590.1.111.1A	37	8	612.4.020.1A	25	9	668.1.001.3A	11a	12	701.4.007.1A	12	21	710.1.024.1A	30	34
590.1.117.1A	37	9	612.4.022.1A	25	4	668.1.026.1B	33	3	701.4.017.1A	30	20	710.1.025.1A	30	7
590.1.141.1A	37	17	613.4.008.1A	26	26	669.1.001.1E	13	6	702.4.004.1A	22	3	710.1.026.1A	30	18
590.1.174.1A	37	15	613.4.030.1A	25	25	670.4.016.1B	18b	17	702.4.009.1A	11	11	710.1.027.1A	19	5
590.1.189.1A	1d	1	618.4.038.1A	25	23	671.1.018.1A	18b	13	702.4.010.2A	11	9	710.1.061.1A	6	7
590.1.190.1A	1d	2	619.4.001.2C	26	27	671.1.019.1A	18b	14	702.4.013.1A	10	19	710.1.069.1A	10a	12
590.1.192.1A	37	11	624.4.016.1B	25	1	672.1.029.1A	18a	21	702.4.017.1A	4	20	710.1.070.1A	10	4
590.2.020.1A	34	24	625.4.006.1A	26	12	676.2.038.1A	28	19	702.4.020.1A	10a	11	711.1.067.1A	28	7
592.1.007.3B	34a	24	626.4.007.1A	25	2	676.4.021.1A	28	14	702.4.033.1A	10	21	711.1.089.1A	6	6
593.1.003.1B	10	11	626.4.008.1A	25	20	677.4.003.1A	1b	3	702.4.033.1A	10a	2	711.1.091.2A	15	10
593.1.018.1A	9	29	626.4.010.1A	24	4	680.1.001.1B	9	7	702.4.058.1A	8	25	711.1.092.2A	15	4
595.1.027.1B	35	12	626.4.011.1A	24	3	680.5.003.1A	15	19	702.5.008.1A	10	7	711.1.093.2A	7	12
598.2.023.1A	29	17	626.4.011.1A	25	3	684.1.052.1A	18	11	702.5.008.1A	11	4	711.1.095.1A	10a	7
598.2.028.1A	29	3	626.4.013.1A	26	25	697.2.013.1A	29	11	702.5.016.1A	4	14	712.1.018.1A	28	8
598.4.011.3A	22	32	630.4.010.1AB	24	1	698.1.033.1A	1d	15	702.5.019.1A	10a	1	712.1.019.1A	30	32
60N102482	35	13	631.4.008.1A	24	5	699.2.063.1A	1b	11	702.5.044.1A	3	29	713.1.012.1B	4	31
60N102511	34	3	631.4.008.1A	25	21	699.2.064.1A	27	19	702.5.045.1A	30	22	713.1.014.1A	3	11
60N115062	23	25	631.4.008.1A	26	24	699.2.072.1A	36	6	703.1.013.1A	22	17	713.1.014.1E	3	11
60N115062	26	7	631.4.009.1A	24	2	699.2.072.1A	36a	3	703.5.002.2A	15	24	713.1.014.1F	3	11
60N115548	35	7	632.1.018.2A	24	18	700.1.017.1E	28	9	70610.8120	4	11	713.1.078.1A	30	23
610.4.025.1A	25	7	650.4.006.2A	22	27	700.1.019.1A	34	9	70700.6N02	24	10	713.1.082.1A	19	20
610.4.026.1A	25	26	651.4.008.1A	22	8	700.1.020.1A	21	9	70700.6N02	25	19	713.1.089.1A	36	5
611.4.005.2A	26	29	652.4.004.3A	22	10	700.1.028.2A	34	14	70700.6N02	26	20	713.1.099.1A	35	37
612.4.005.1A	24	21	654.2.003.1A	22	5	700.1.036.1A	12	24	707006N02	33	5	713.1.128.1B	11	12

## INDEX

CODE No.	Drwg.	POS. N.	CODE No.	Drwg.	POS. N.	CODE No.	Drwg.	POS. N.	CODE No.	Drwg.	POS. N.	CODE No.	Drwg.	POS. N.
713.1.132.1A	22	38	729906FN1	29a	12	741.4.002.1A	33	30	748.1.044.1A	8	8	764.1.002.1A	13	8
713.1.140.1A	10a	4	729910FF1	30	15	741.4.002.1A	7	15	748.4.024.1AB	28	4	764.1.003.1B	4	6
713.1.144.1A	8	9	732.1.017.1A	29a	19	741.4.004.1A	34	10	749.4.030.1A	35	15	764.1.011.1A	23	18
713.1.153.1A	22	18	732.2.002.2A	29	5	741.4.004.1A	34a	4	749.5.001.1A	29a	21	764.1.011.2A	26	10
713.1.157.1A	3	31	734006N01	11a	21	741.4.013.1B	37	7	750.1.002.1B	4	25	764.1.014.1A	35	18
713.1.241.1A	16	11	734306N01	11	20	741.4.025.1A	33	34	750.1.007.1A	3	14	764.1.017.1A	36a	19
713.1.304.1A	32	5	734306N01	34	13	741.4.038.1A	18b	11	750.1.012.2A	6	14	764.1.022.1A	16	17
714.1.027.1A	27	15	734406N01	16	12	741.4.043.1A	24	14	750.1.018.1A	28	2	764.1.022.1A	32	4
714.1.028.1A	27	9	734406N01	22	34	741.4.043.1A	25	16	750.1.019.1A	27	13	764.1.024.1A	19	7
714.1.041.1A	28	12	7350.33.804	8	26	741.4.043.1A	26	16	750.1.021.1A	30	6	764.1.024.1A	35	36
715.1.003.1A	30	13	73500.0624	26	4	741.4.043.1A	37	3	750.1.022.1A	30	4	764.1.025.1A	31	33
7150.21.651	18a	9	73500.1440	12	11	741.4.057.1A	37	2	750.1.024.1A	29	16	764.1.029.1A	37	16
716.1.021.2A	34	8	73500.1542	2	15	741.4.058.1A	37	14	750.1.047.1A	15	7	764.1.084.1A	18	13
716.1.028.1A	21	22	73503.3380	10	9	741.4.059.1A	37	4	750.1.048.1A	23	31	764.1.084.1A	18a	16
716.1.029.2A	19	26	73503.3380	10a	10	741.4.063.1A	37	10	750.1.054.1A	23	2	764.1.084.1A	18b	5
716.1.044.1A	30	43	73503.3380	11	5	741.4.064.1A	33	11	750.1.057.1A	6	13	764.1.084.1A	21	24
716.1.072.2A	8	20	73503.3449	34a	23	741.4.067.1A	14	9	750.1.121.1A	12	3	764.1.084.1A	29a	2
716.1.073.2A	8	17	736.4.012.1A	36	12	741.5.027.1B	31	26	75113.2566	4	18	764.4.003.1A	29	8
72094.1616	10	17	736.4.013.1B	31	9	74172.1008	8	16	75162.2566	27	8	76401.0009	30	3
72121.2106	6	4	736.4.013.1B	36a	18	74224.0570	4	24	75191.3380	10	5	76401.0010	30	5
72237.0657	29	7	737.4.012.4A	8	22	747.1.005.1A	29	15	75794.1542	10a	9	76402.0002	3	17
72237.0657	29a	1	741.1.010.1A	18b	9	747.5.001.1A	23	23	759.1.008.1A	28	1	766.1.020.1A	15	2
72237.0974	34a	12	741.1.011.1A	33	6	748.1.014.1A	27	1	759.1.009.1A	27	12	766.1.024.2A	10	16
72944.1542	8	21	741.1.012.1A	18b	10	748.1.024.1A	19	3	759.1.010.1A	29	6	766.4.019.1A	13	21
729906FN1	16	13	741.1.012.1A	21	25	748.1.035.1A	20	10	760.4.003.1A	29a	18	76835.1134	2	10
729906FN1	18a	10	741.1.013.1A	18b	28	748.1.038.1A	10	14	763106N01	18	10	770.5.250.8B	10a	5
729906FN1	19	28	741.4.001.1A	33	10	748.1.040.1A	2	23	763106N01	23	21	770.5.250.8B	11	6

## INDEX

CODE No.	Drwg.	POS. N.	CODE No.	Drwg.	POS. N.	CODE No.	Drwg.	POS. N.	CODE No.	Drwg.	POS. N.	CODE No.	Drwg.	POS. N.
771.1.003.1A	30	17	771.5.069.8B	16	10	771.5.669.2B	24	6	772.5.025.1A	21	20	779.1.039.1A	2	3
771.1.004.1A	34	7	771.5.069.8B	5	5	771.5.669.2B	25	24	772.5.025.1A	23	7	779.1.058.1A	24	16
771.1.020.1A	27	4	771.5.069.8B	9	10	771.5.723.2B	22	14	772.5.025.1A	31	23	779.1.058.2A	25	11
771.1.026.1A	5	2	771.5.071.8B	12	23	771.5.723.2B	23	6	772.5.025.1A	32	3	779.1.058.2A	26	22
771.1.027.1A	5	8	771.5.072.2B	11	22	771.5.725.2B	22	12	772.5.025.1A	33	25	779.1.060.1A	22	16
771.5.019.2B	20	3	771.5.072.2B	21	8	771.5.754.2B	23	36	772.5.025.1A	35	38	779.1.082.1A	24	19
771.5.025.2B	18b	4	771.5.072.8B	10a	14	771.5.754.2B	26	2	772.5.025.1A	36a	16	779.1.085.1A	19	8
771.5.040.2B	34	20	771.5.072.8B	14a	8	771.5.937.2B	30	11	773.5.061.8B	14	7	779.1.088.1A	18b	19
771.5.040.8B	11	15	771.5.073.8B	11	2	771.5.938.2B	30	12	773.5.069.8B	8	4	779.1.092.1A	24	7
771.5.041.8B	16	20	771.5.078.8B	12	12	772.1.002.1A	30	14	773.5.069.8B	9	3	779.1.092.1A	25	17
771.5.043.8B	4	4	771.5.078.8B	5	3	772.1.003.1A	30	35	773.5.120.8B	28	22	779.1.109.1A	6	2
771.5.045.7E	34	5	771.5.079.8B	5	17	772.1.004.2A	30	31	774.5.002.1B	31	5	779.1.121.2A	33	13
771.5.065.2BB	4	28	771.5.080.8B	10a	15	772.1.005.1B	28	21	774.5.004.1A	35	35	779.1.137.1A	36	3
771.5.065.8B	11a	19	771.5.123.8B	2	30	772.1.007.1A	34	12	775.1.006.1A	18	3	779.1.162.2A	9	27
771.5.065.8B	14	3	771.5.125.2C	29	12	772.1.008.1A	31	15	775.1.038.1A	19	16	779.1.187.1A	8	5
771.5.065.8B	14a	3	771.5.129.8B	9	8	772.1.017.1A	31	16	775.1.038.1A	36	8	779.1.189.1A	15	12
771.5.065.8B	15	13	771.5.136.8B	10	10	772.5.021.1A	18	9	776.4.002.1A	20	19	779.1.190.1A	15	3
771.5.065.8B	33	22	771.5.136.8B	10a	6	772.5.021.1A	20	30	777.5.038.2B	29	4	779.1.198.2A	11a	3
771.5.065.8B	7	5	771.5.431.2B	25	6	772.5.023.1A	19	31	777.5.049.8B	11a	7	779.1.198.2A	9	23
771.5.066.2B	22	37	771.5.639.2B	20	8	772.5.023.1A	22	29	777.5.210.2A	22	41	779.1.201.1A	7	6
771.5.066.8B	11a	2	771.5.639.2B	21	14	772.5.023.1A	36a	28	777.5.234.2B	35	19	779.1.202.1A	32	8
771.5.066.8B	12	5	771.5.664.2B	22	19	772.5.024.1A	18b	6	778.5.009.1A	22	36	779.1.203.2A	2	7
771.5.066.8B	14	11	771.5.667.2B	21	2	772.5.024.1A	22	11	778.5.012.1A	13	20	779.1.213.1A	23	29
771.5.067.8B	2	28	771.5.667.2B	22	26	772.5.024.1A	26	11	779.1.007.2A	6	9	779.1.215.1A	16	15
771.5.069.8B	11a	11	771.5.667.2B	23	14	772.5.024.1A	29a	11	779.1.009.1A	19	22	779.1.318.1A	16	8
771.5.069.8B	12	22	771.5.667.2B	29a	13	772.5.024.1A	30	39	779.1.026.2A	10	3	779.4.005.2A	23	16
771.5.069.8B	15	5	771.5.669.2B	22	25	772.5.025.1A	18a	3	779.1.029.2A	10a	16	779.4.063.1A	17	2

## INDEX

CODE No.	Drwg.	POS. N.	CODE No.	Drwg.	POS. N.	CODE No.	Drwg.	POS. N.	CODE No.	Drwg.	POS. N.	CODE No.	Drwg.	POS. N.
779.4.075.1A	11	3	791.1.035.1A	31	11	8000.36230	21	12	8000.62676	23	34	814.1.114.1A	1d	8
779.5.030.2A	15	25	791.1.041.1B	31	14	8000.36230	29a	9	8000.62726	18a	17	815.1.022.1A	16	3
780.1.007.1A	19	27	791.2.028.1A	7	18	8000.36726	21	4	8000.62726	30	28	818.2.009.1A	4	3
780.1.008.1A	34a	3	799.1.025.1A	2	20	8000.36726	29a	14	8000.62726	34	16	819.1.017.1A	27	11
780.1.016.1A	6	3	799.1.045.1A	23	3	8000.50442	33	31	8000.62726	36	10	819.2.039.2A	28	13
780.1.018.1A	9	31	799.1.048.1A	19	4	8000.50450	31	18	8000.66526	18b	24	821.1.001.1A	2	26
780.2.047.1A	9	17	799.1.049.1A	2	1	8000.50454	31	24	8000.66774	22	30	821.1.051.1A	23	4
780.5.001.1A	11a	16	799.1.051.2A	6	15	8000.53724	18	7	8000.67981	26	8	821.1.052.1A	26	9
780.5.001.1A	16	14	799.1.055.1A	9	30	8000.53724	18b	12	8000.68490	25	14	821.1.054.1A	18b	20
780.5.001.1A	5	15	799.1.057.1A	35	16	8000.53724	21	26	8000.70119	27	2	821.1.057.1A	35	10
781.1.009.1A	16	5	799.1.058.1A	22	39	8000.53724	29	14	8000.70139	1b	8	821.1.070.1A	2	17
786.1.055.3A	7	11	799.1.064.1A	21	16	8000.56359	18b	7	8000.72911	35	30	821.1.092.3A	13	17
786.1.056.1A	7	13	799.1.083.1B	26	33	8000.56359	19	10	8000.74504	21	27	821.1.093.4A	13	15
788.1.044.1A	31	32	799.1.095.1A	13	18	8000.56391	36	16	8000.74504	29a	16	821.1.096.1A	26	13
788.1.045.1A	31	10	799.1.096.1A	13	19	8000.56443	18	5	8000.74505	21	28	821.1.098.3A	13	2
788.1.048.1B	19	23	799.1.228.1A	36	11	8000.56443	19	25	8000.74505	29a	17	821.1.099.4A	13	1
788.1.052.1A	5	14	799.2.001.1A	23	33	8000.56443	24	13	8000.77921	34	18	821.1.103.1A	23	37
788.1.054.1A	12	4	799.2.077.2A	9	14	8000.56443	25	10	8000.77936	20	25	821.1.129.1A	18	12
788.1.062.1A	15	9	800.1.007.1A	7	17	8000.56443	29	2	8000.78345	22	6	821.1.170.1A	23	13
788.1.064.1A	14	6	800.1.008.1A	7	16	8000.56443	29a	4	808.2.016.2A	22	20	824.1.015.1A	23	28
788.1.064.1A	14a	5	800.1.040.1A	33	29	8000.56443	35	8	80A0.62649	19	6	824.1.016.1A	23	9
788.1.066.1AA	11a	9	800.1.064.1A	33	33	8000.56741	20	22	812.1.024.1A	31	27	825.1.009.1A	28	17
788.1.066.1AB	11a	9	800.1.068.1A	33	23	8000.56742	20	20	812.1.025.1A	31	8	826.1.009.1A	2	33
788.1.066.1AC	11a	9	800.1.069.1A	33	32	8000.56747	20	17	814.1.037.1AB	33	15	826.1.012.1A	10	18
789.1.001.1A	34a	25	800.1.071.1A	33	28	8000.56748	20	16	814.1.081.1A	7	14	827.1.067.1A	23	30
790.1.004.1A	19	1	800.1.072.1A	33	26	8000.56752	20	11	814.1.090.1A	14a	7	827.1.085.1A	35	14
791.1.012.1A	34	4	8000.20602	20	15	8000.62653	30	27	814.1.111.1B	37	6	827.1.086.1A	35	20

## INDEX

CODE No.	Drwg.	POS. N.	CODE No.	Drwg.	POS. N.	CODE No.	Drwg.	POS. N.	CODE No.	Drwg.	POS. N.	CODE No.	Drwg.	POS. N.
827.1.089.1A	21	15	829.1.282.1A	18a	1	840.1.016.1A	13	11	840.1.055.1B	13	9	840.1.080.1B	13	9
827.1.090.1A	21	17	829.1.285.1B	18a	19	840.1.017.1A	13	11	840.1.056.1B	13	9	840.1.081.1B	13	9
827.1.095.1A	21	19	829.1.286.1A	33	14	840.1.018.1A	13	11	840.1.057.1B	13	9	840.1.082.1B	13	9
827.1.099.2A	31	21	829.1.364.1A	20	1	840.1.019.1A	13	11	840.1.058.1B	13	9	840.1.083.1B	13	9
827.1.108.1A	35	24	829.2.004.2A	35	4	840.1.020.1A	13	11	840.1.059.1B	13	9	840.1.084.1B	13	9
827.1.111.1A	35	25	829.2.122.1AB	36	13	840.1.021.1A	13	11	840.1.060.1B	13	9	840.1.085.1B	13	9
827.1.157.1A	37	18	829.2.123.1AB	36	9	840.1.022.1A	13	11	840.1.061.1B	13	9	840.1.108.1A	13	11
827.1.181.1A	21	30	830.1.127.1A	30	38	840.1.023.1A	13	11	840.1.062.1B	13	9	840.1.109.1A	13	11
827.1.195.1A	18a	2	830.1.144.1A	11	14	840.1.024.1A	13	11	840.1.063.1B	13	9	840.1.110.1A	13	11
827.1.230.1A	18a	18	830.1.210.1A	32	7	840.1.025.1A	13	11	840.1.064.1B	13	9	840.1.111.1A	13	11
827.2.215.1A	18	2	832.1.003.1A	30	24	840.1.026.1A	13	11	840.1.065.1B	13	9	840.1.112.1A	13	11
829.1.073.3A	34	22	832.1.008.1A	35	27	840.1.027.1A	13	11	840.1.066.1B	13	9	840.2.001.1A	13	11
829.1.077.2B	34a	15	840.1.001.1A	13	11	840.1.028.1A	13	11	840.1.067.1B	13	9	840.2.002.1B	13	9
829.1.078.1A	26	1	840.1.002.1A	13	11	840.1.029.1A	13	11	840.1.068.1B	13	9	841.1.002.2A	4	2
829.1.096.1A	18b	2	840.1.003.1A	13	11	840.1.030.1A	13	11	840.1.069.1B	13	9	848.4.005.1A	22	22
829.1.104.1A	34a	7	840.1.004.1A	13	11	840.1.031.1A	13	11	840.1.070.1B	13	9	848.5.001.1A	23	22
829.1.112.1BC	20	6	840.1.005.1A	13	11	840.1.032.1A	13	11	840.1.071.1B	13	9	848.5.002.1A	23	26
829.1.117.1A	20	9	840.1.006.1A	13	11	840.1.033.1A	13	11	840.1.072.1A	13	11	850.1.003.1A	36a	9
829.1.118.1A	20	7	840.1.007.1A	13	11	840.1.034.1A	13	11	840.1.072.1B	13	9	850.2.002.1A	31	3
829.1.136.1A	29a	23	840.1.008.1A	13	11	840.1.047.1B	13	9	840.1.073.1A	13	11	850.4.019.1A	36a	7
829.1.190.1A	21	31	840.1.009.1A	13	11	840.1.048.1B	13	9	840.1.073.1B	13	9	850.4.023.1A	36a	10
829.1.190.1B	18a	4	840.1.010.1A	13	11	840.1.049.1B	13	9	840.1.074.1B	13	9	850.4.031.1A	34a	28
829.1.228.1A	24	9	840.1.011.1A	13	11	840.1.050.1B	13	9	840.1.075.1B	13	9	850.4.037.2A	31	13
829.1.238.1A	25	22	840.1.012.1A	13	11	840.1.051.1B	13	9	840.1.076.1B	13	9	850.4.041.1A	18a	20
829.1.242.1A	35	33	840.1.013.1A	13	11	840.1.052.1B	13	9	840.1.077.1B	13	9	850.4.044.1A	36a	26
829.1.260.2A	23	32	840.1.014.1A	13	11	840.1.053.1B	13	9	840.1.078.1B	13	9	851.1.001.1B	4	9
829.1.280.1B	16	9	840.1.015.1A	13	11	840.1.054.1B	13	9	840.1.079.1B	13	9	851.1.004.1A	3	13

## INDEX

CODE No.	Drwg.	POS. N.	CODE No.	Drwg.	POS. N.	CODE No.	Drwg.	POS. N.	CODE No.	Drwg.	POS. N.	CODE No.	Drwg.	POS. N.
851.1.010.1A	6	12	852.1.104.1K	6	11	853.1.002.1A	8	27	873.1.005.1A	15	26	884.5.013.1A	5a	4
851.1.013.1A	8	14	852.1.104.1L	6	11	853.1.002.1A	9	9	873.1.037.1A	9	6	884.5.034.1A	2	22
851.4.001.1A	4	5	852.1.104.1M	6	11	853.1.003.1A	12	2	875.1.022.2A	30	2	884.5.036.1A	12	7
852.1.005.1A	2	14	852.1.104.1N	6	11	853.1.004.1A	9	11	875.1.048.2A	16	6	884.5.036.1A	9	25
852.1.053.1A	23	15	852.1.105.1AB	3	26	856.1.001.1A	3	6	875.1.065.1A	1d	3	886.1.014.1A	17	3
852.1.053.2A	2	2	852.1.105.1AG	3	26	856.1.023.1A	19	14	876.1.058.1A	33	7	886.4.003.1A	11a	10
852.1.054.1A	26	3	852.1.114.1A	11	10	856.1.031.1A	3	30	876.1.075.1A	33	9	886.4.021.1A	34a	11
852.1.055.1A	28	3	852.1.120.1A	11a	20	856.1.042.1A	36a	8	876.1.076.1A	31	25	886.4.022.1A	34a	18
852.1.057.1A	27	14	852.1.120.1A	9	4	856.1.043.1A	35	17	876.1.078.1A	31	12	886.4.035.1A	11a	5
852.1.058.2A	28	6	852.1.135.1A	5a	3	856.1.061.2A	15	8	876.1.080.1A	33	8	886.4.037.1A	9	32
852.1.059.1A	28	15	852.1.160.1A	18	6	856.1.062.2A	8	19	876.2.054.1A	31	17	886.4.043.1A	20	29
852.1.068.1A	30	36	852.1.172.1A	11	7	856.1.064.2A	10	15	877.1.037.1A	24	15	886.4.043.1A	4	27
852.1.071.1A	22	13	852.1.172.1A	2	29	856.1.071.1A	12	9	877.1.039.1A	26	17	886.5.001.1A	34a	21
852.1.071.1A	29	13	852.1.174.1A	2	31	856.1.074.2A	15	23	877.1.067.1A	25	13	886.5.003.1A	28	16
852.1.075.1A	36a	12	852.1.195.1A	5	10	863.1.001.1D	28	11	881.1.010.1C	12	18	886.5.007.1A	15	16
852.1.079.1A	31	28	852.1.195.1A	9	28	863.1.002.1A	12	14	881.1.012.1A	2	32	886.5.011.1A	7	7
852.1.094.1A	2	19	852.4.010.1A	17	1	866.1.018.1A	35	28	881.1.030.1A	11	21	886.5.014.1A	22	9
852.1.104.1A	6	11	852.5.001.1A	29a	22	866.1.019.1A	35	9	881.1.030.1A	34	23	886.5.015.1A	16	2
852.1.104.1B	6	11	852.5.001.1A	35	34	866.1.020.1A	35	6	881.2.001.1A	4	19	88700.5665	1	13
852.1.104.1C	6	11	852.5.005.1A	9	18	866.1.021.1A	33	27	882.1.003.1A	8	11	88713.0123	1	4
852.1.104.1D	6	11	852.5.023.1A	11a	15	866.1.023.1A	35	22	882.1.006.1A	2	16	88713.0957	1b	12
852.1.104.1E	6	11	852.5.023.1A	37	5	866.1.024.1A	35	23	882.1.012.1A	12	15	88713.1010	1a	15
852.1.104.1F	6	11	852.5.024.1A	2	5	872.1.015.1A	22	24	884.4.042.1A	9	24	88713.1037	1b	6
852.1.104.1G	6	11	852.5.024.1A	5	16	872.1.015.1A	22	33	884.5.001.1A	22	15	88713.1038	1b	18
852.1.104.1H	6	11	852.5.025.1A	14	8	872.1.016.1A	30	29	884.5.003.1A	23	10	88713.1057	1b	15
852.1.104.1I	6	11	852.5.026.1A	10	2	872.1.017.1A	30	30	884.5.004.1A	28	18	88713.1058	1b	7
852.1.104.1J	6	11	852.5.026.1A	16	21	872.1.026.1A	18	8	884.5.011.1A	11	8	88713.1059	1b	5



## INDEX

CODE No.	Drwg.	POS. N.	CODE No.	Drwg.	POS. N.	CODE No.	Drwg.	POS. N.	CODE No.	Drwg.	POS. N.	CODE No.	Drwg.	POS. N.
88713.1062	1b	9	88713.2102	1a	4	88765.1126S	1c	22	88765.1375EF	1	7	930.4.049.1A	3	28
88713.1068	1b	17	88713.2103	1	15	88765.1126T	1c	23	893.1.002.1A	33	20	930.5.005.1A	11	18
88713.1071	1b	10	88713.2133	1	12	88765.1126T	1d	16	893.1.004.1A	33	2	930.5.006.2B	11	19
88713.1072	1b	1	88765.0999	1	6	88765.1126U	1c	20	893.1.005.1A	5	11	930.5.007.1A	15	17
88713.1073	1b	2	88765.1000	1	5	88765.1126V	1c	8	893.4.005.1A	24	11	930.5.012.1A	30	21
88713.1074	1b	4	88765.1005	1	5	88765.1126Z	1c	1	893.4.005.1A	26	19	93783.1524	11a	4
88713.1077	1b	16	88765.1006	1	5	88765.1181	1a	5	894.2.009.1A	9	19	93785.1830	10a	8
88713.1091	1	11	88765.1073	1c	21	88765.1188	1a	12	895.4.001.2A	34	6	93823.0119	33	4
88713.1096	1b	14	88765.1074	1c	21	88765.1241	1d	0	8A00.67997	31	22	93823.0128	4	32
88713.1344	1b	13	88765.1075	1c	21	88765.1242	1d	0	8A00.69056	22a	5	93823.2018	4	30
88713.1429	1	14	88765.1076	1c	21	88765.1243	1d	0	8B00.67545	20	4	93823.2082	5	7
88713.1749	1a	13	88765.1077	1c	21	88765.1244	1d	0	8H00.67545	35	5	93823.2087	14	4
88713.1791	1a	14	88765.1126	1c	6	88765.1245	1d	0	913.7.096.1E	29	10	93823.2087	14a	6
88713.1805	1a	3	88765.1126A	1c	4	88765.1298	1	3	914.7.023.1A	1c	2	93823.2087	33	16
88713.1806	1a	6	88765.1126B	1c	12	88765.1369A	1c	24	914.7.023.1B	1c	2	93823.3156	10	12
88713.1821	1a	9	88765.1126C	1c	11	88765.1369B	1c	24	914.7.023.1C	1c	2	93827.0114	10	8
88713.1832	1	9	88765.1126D	1c	14	88765.1369C	1c	24	914.7.023.1D	1c	2	93827.0114	5	12
88713.1886	1	10	88765.1126E	1c	9	88765.1369D	1c	24	914.7.023.1E	1c	2	93827.0114	9	22
88713.1906	1a	16	88765.1126F	1c	13	88765.1369E	1c	24	919.1.001.2A	27	20	94247.0014	10a	3
88713.1920	1a	8	88765.1126G	1c	17	88765.1371	1c	25	930.1.004.1A	22	2	94247.0014	11	17
88713.1994	1a	10	88765.1126H	1c	16	88765.1372	1c	26	930.4.011.1A	30	10	94247.0014	5a	5
88713.2011	1a	7	88765.1126L	1c	19	88765.1373	1c	27	930.4.020.1A	15	27	98112.0002	1	4
88713.2036	1	8	88765.1126M	1c	18	88765.1374	1c	28	930.4.021.1A	5a	2			
88713.2060	1a	11	88765.1126N	1c	7	88765.1375AF	1	7	930.4.022.1A	10	20			
88713.2068	1a	1	88765.1126P	1c	10	88765.1375BF	1	7	930.4.023.1A	3	32			
88713.2069	1a	2	88765.1126Q	1c	5	88765.1375CF	1	7	930.4.034.1A	5	6			
88713.2096	1	1	88765.1126R	1c	3	88765.1375DF	1	7	930.4.035.1A	4	16			